



Z5350

19" x 17" Wall Hung Lavatory

TAG _____



Z5350 Series

- 19" [483 mm] x 17" [432 mm]
- Vitreous china
- Faucet holes for single, 4", or 8" centers
- Wall hung lavatory provided with wall hanger
- Front overflow
- Waste: 1-1/4" O.D.
- Shipping Weight: 28 lbs.

Z5350 Series

Recommended Trim:

- Z8743-PC** Grid Strainer
- Z8700** Series P-Trap
- Z8800** Series Top with Flexible Supplies
- Z8946-1-NT** ADA Trap, Stop, and Supply Protectors

Optional Trim:

- Z8746-PC** ADA Grid Strainer
- Z8946-3-NT** ADA Trap, Stop, and Supply Protectors for Offset Grid Strainers

Engineering Specification:

- Z5351** 19" x 17" vitreous china wall hung lavatory with single faucet hole. Provided with hanger plate.
- Z5354** 19" x 17" vitreous china wall hung lavatory with 4" center faucet holes. Provided with hanger plate.
- Z5358** 19" x 17" vitreous china wall hung lavatory with 8" center faucet holes. Provided with hanger plate.

This space is for Architectural/engineering Approval

These dimensions and specifications are subject to change without notice.

Fixture dimensions meet ANSI/ASME standard A112.19.2 and CAN/CSA B45 requirements.

Meets the American Disabilities Guidelines and ANSI A117.1 requirements when lavatory is installed 34" [864mm] from finished floor.



See Zurn One Systems for suggested packages.

ZURN INDUSTRIES, LLC. ♦ COMMERCIAL BRASS OPERATION ♦ 5900 ELWIN BUCHANAN DRIVE ♦ SANFORD NC 27330

Phone: 1-800-997-3876 ♦ Fax: 919-775-3541 ♦ World Wide Web: www.zurn.com

In Canada: ZURN INDUSTRIES LIMITED ♦ 3544 Nashua Drive ♦ Mississauga, Ontario L4V1L2 ♦ Phone: 905-405-8272 Fax: 905-405-1292



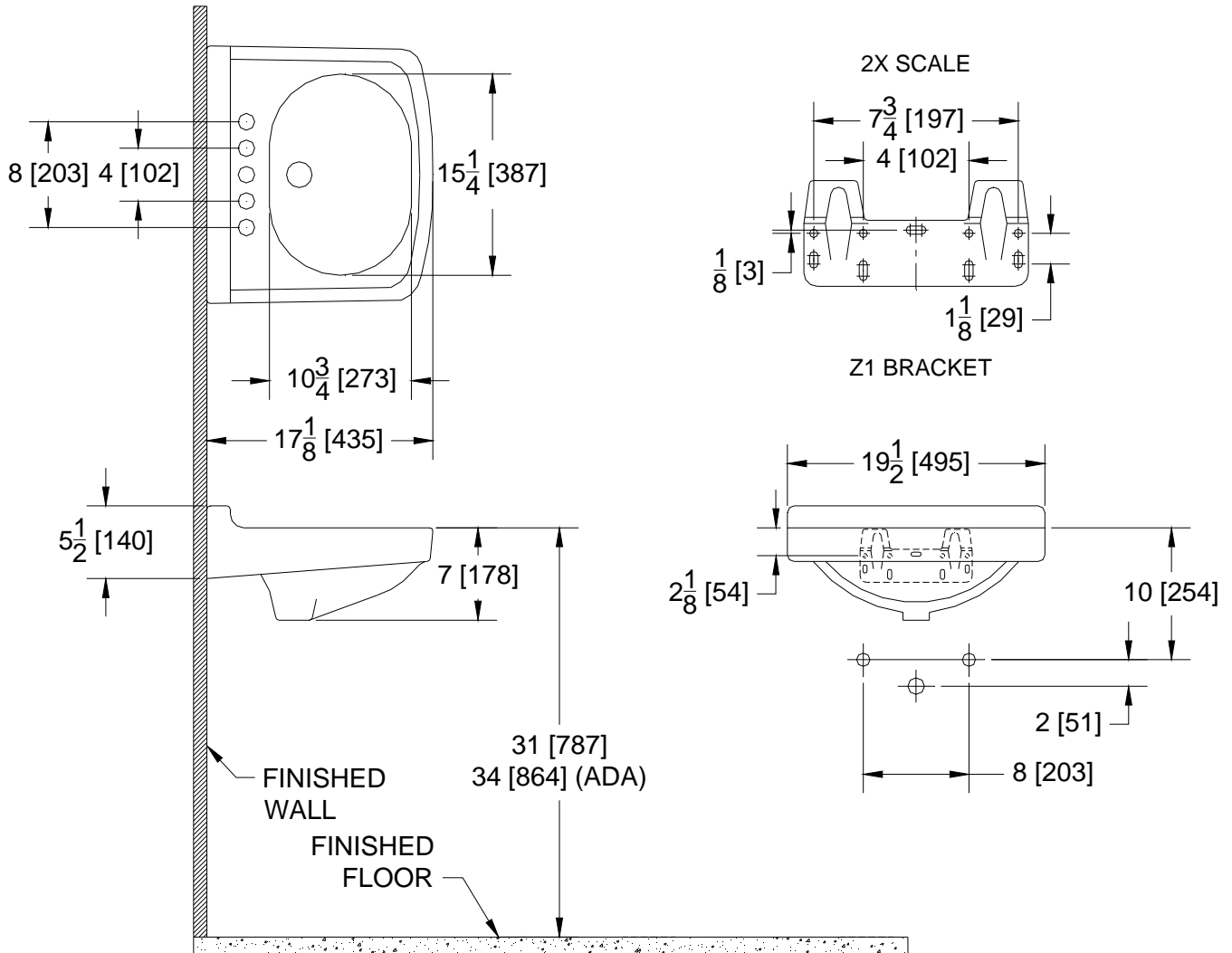
Z5350

19" x 17" Wall Hung Lavatory Rough-In

TAG _____

Rough-in dimensions for Z5350 Series

- Z5351 Lavatory with single hole faucet
- Z5354 Lavatory with 4" center faucet holes
- Z5358 Lavatory with 8" center faucet holes



These dimensions and specifications are subject to change without notice.

Fixture dimensions meet ANSI/ASME standard A112.19.2 and CAN/CSA B45 requirements.

Meets the American Disabilities Guidelines and ANSI A117.1 requirements when lavatory is installed 34" [864mm] from finished floor.



ZURN INDUSTRIES, LLC. ♦ COMMERCIAL BRASS OPERATION ♦ 5900 ELWIN BUCHANAN DRIVE ♦ SANFORD NC 27330
 Phone: 1-800-997-3876 ♦ Fax: 919-775-3541 ♦ World Wide Web: www.zurn.com
 In Canada: ZURN INDUSTRIES LIMITED ♦ 3544 Nashua Drive ♦ Mississauga, Ontario L4V1L2 ♦ Phone: 905-405-8272 Fax: 905-405-1292