

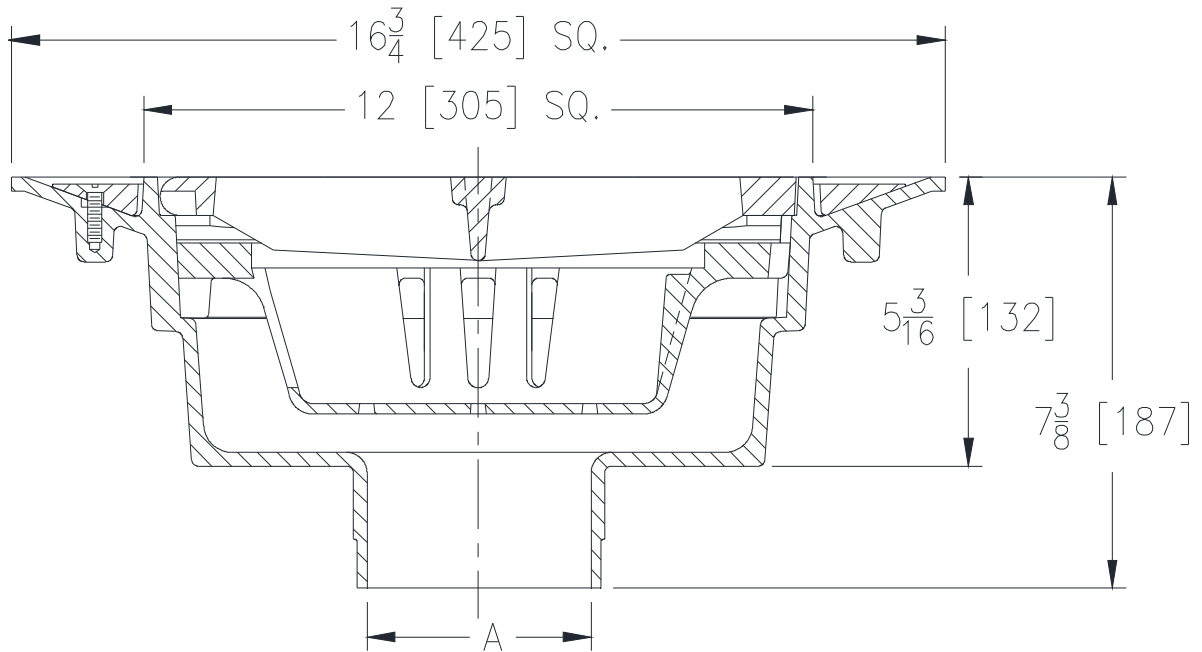


Z535
HEAVY-DUTY PARKING STRUCTURE DRAIN

SPECIFICATION SHEET

TAG _____

Dimensional Data (inches and [mm]) are Subject to Manufacturing Tolerances and Change Without Notice



	A- Pipe Size In. [mm]	Approx. Wt. Lbs. [kg]	Grate Open Area Sq. In. [cm ²]
Aluminum	3, 4, 6, 8 [76, 102, 152, 203]	28 [13]	56 [361]
Cast Iron	3, 4, 6, 8 [76, 102, 152, 203]	75 [34]	56 [361]

ENGINEERING SPECIFICATION: ZURN Z535

Square top heavy-duty drain, oven cured acid resistant epoxy coated aluminum body with bottom outlet, top membrane clamping collar, anti-ponding slots, sediment bucket and heavy-duty anti-tilt hinged slotted grate with stainless steel hinge pins.

OPTIONS (Check/specify appropriate options)

PIPE SIZE

3, 4, 6, 8 [76, 102, 152, 203]

(Specify size) **OUTLET**

_____ NH No-Hub

PREFIXES

- ___ Z A.R.C. Aluminum Body and Top*
- ___ ZC D.C.C.I. Body and Top

SUFFIXES

- ___ -CI Cast Iron Grate (For ZA option only)
- ___ -L Locking Device

* Regularly furnished unless otherwise specified.