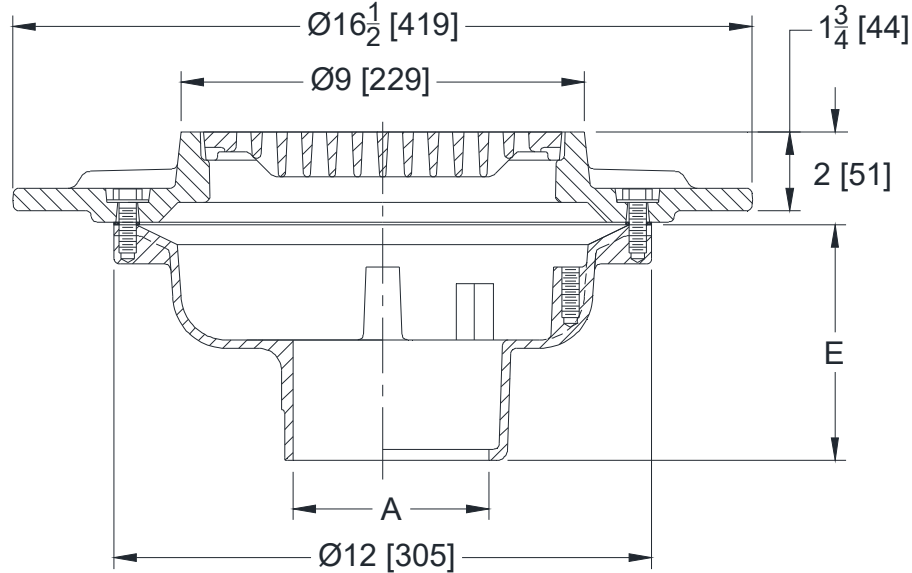


**Z533****9 [229] DIAMETER HEAVY-DUTY
PARKING DECK DRAIN W/ SUPPORT FLANGE**

SPECIFICATION SHEET

TAG _____

Dimensional Data (inches and [mm]) are Subject to Manufacturing Tolerances and Change Without Notice



A Pipe Size In [mm]	Approx. Wt. Lbs. [kg]	Grate Open Area Sq. In. [cm ²]
3,4 [76,102]	48 [22]	16 [103]

ENGINEERING SPECIFICATION: ZURN Z533

9" [229mm] Diameter parking deck drain, Dura-Coated cast iron body with bottom outlet, heavy-duty gasketed drain support flange, with heavy-duty Duresist slotted grate.

OPTIONS (Check/specify appropriate options)**PIPE SIZE**

3,4 [76,102]

3,4 [76,102]

(Specify size/type) **OUTLET**

____ NH No-Hub

____ NL Neo-Loc

'E' BODY HT. DIM.

5-1/4 [133]

4-9/16 [116]

PREFIXES

____ Z D.C.C.I. Body and Top*

____ ZN D.C.C.I. Body with Polished Nickel Bronze Top (Add 3/16 [5] to 2 [51] Dim.)

SUFFIXES

____ -C Underdeck Clamp

____ -G Galvanized Cast Iron

____ -TS Top Secured with Slotted Screws

____ -VP Vandal-Proof Secured Top

____ -Y Sediment Bucket

* Regularly furnished unless otherwise specified.

Zurn Industries, LLC | Specification Drainage Operation
1801 Pittsburgh Avenue, Erie, PA U.S.A. 16502 · Ph. 855-663-9876, Fax 814-454-7929

In Canada | Zurn Industries Limited
7900 Goreway Drive, Unit 10, Brampton, Ontario L6T 5W6 · Ph. 877-892-5216

www.zurn.com

Rev. K
Date: 10/05/2020
C.N. No. 143082
Prod. | Dwg. No. Z533