



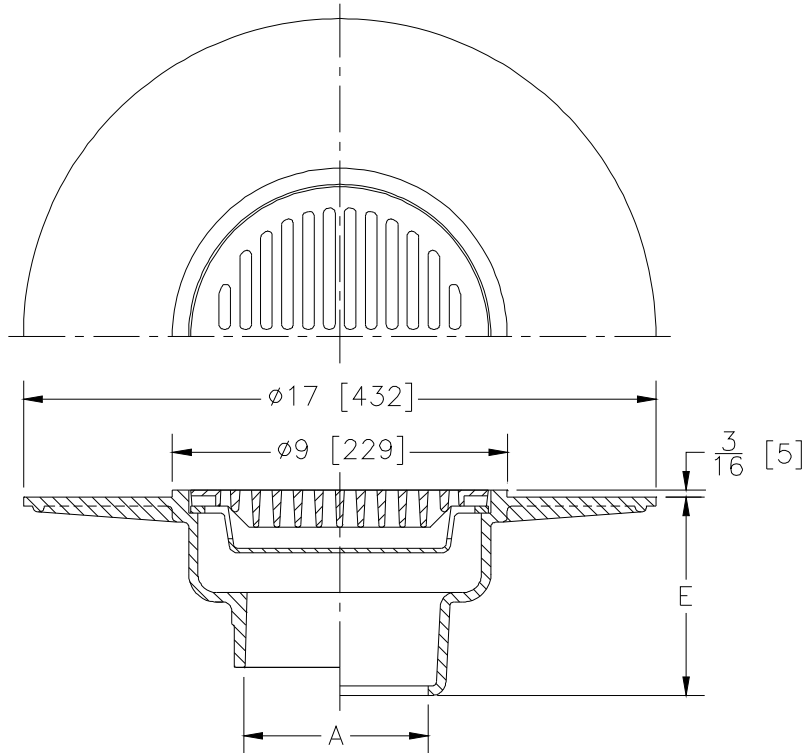
Z530

9 [229] MEDIUM-DUTY WIDE FLANGE DECK DRAIN

SPECIFICATION SHEET

TAG _____

Dimensional Data (inches and [mm]) are Subject to Manufacturing Tolerances and Change Without Notice



A- Pipe Size In.[mm]	Approx. Wt. Lbs. [kg]	Grate Open Area Sq. In. [cm ²]
2, 3, 4 [51, 76, 102]	49 [22]	18 [116]

ENGINEERING SPECIFICATION: ZURN Z530

9" [229mm] Diameter wide flange deck drain for latex decks, Dura-Coated cast iron body with latex troweling flange, flat, heel-proof, medium-duty grate and suspended sediment bucket.

OPTIONS (Check/specify appropriate options)

PIPE SIZE

- 2, 3, 4 [51, 76, 102]
- 2, 3, 4 [51, 76, 102]
- 2, 3, 4 [51, 76, 102]

(Specify size/type) **OUTLET**

- _____ IC Inside Caulk
- _____ IP Threaded
- _____ NL Neo-Loc

'E' BODY HT. DIM.

- 5-1/2 [140]
- 4 [102]
- 4-3/4 [121]

PREFIXES

- _____ Z D.C.C.I. Body and Top*

SUFFIXES

- _____ -AR Acid Resisting Epoxy Coated Cast Iron
- _____ -C Underdeck Clamp
- _____ -DG Duresist Grate
- _____ -G Galvanized Cast Iron
- _____ -TC Neo-Loc Test Cap Gasket
(2, 3, 4 [51, 76, 102] NL Bottom Outlet Only)
- _____ -TS Top Secured with Slotted Screws
- _____ -VP Vandal Proof Secured Top
- _____ -XJ Expansion Joint (See Z190)

* Regularly furnished unless otherwise specified.