



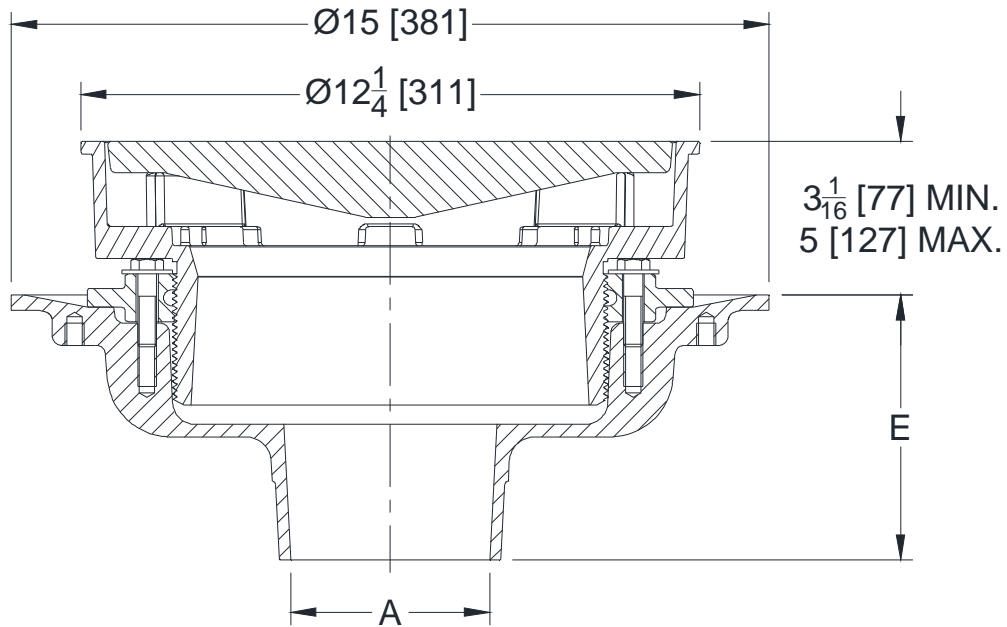
Z521

12-1/4 [311] DIAMETER TOP ADJUSTABLE HEAVY-DUTY DRAIN

SPECIFICATION SHEET

TAG _____

Dimensional Data (inches and [mm]) are Subject to Manufacturing Tolerances and Change Without Notice



A Pipe Size In. [mm]	Approx. Wt. Lbs. [kg]	Grate Open Area Sq. In. [cm ²]
2,3,4 [51,76,102]	60 [27]	33 [213]
6 [152]	57 [26]	
8 [203]	58 [26]	

ENGINEERING SPECIFICATION: ZURN Z521

12-1/4" [311mm] Diameter top drain, Dura-Coated cast iron body with bottom outlet, seepage pan, membrane flashing clamp with seepage holes, and adjustable extension frame with heavy-duty tractor grate.

OPTIONS (Check/specify appropriate options)

PIPE SIZE

3,4,6 [76,102,152]
 3,4,6 [76,102,152]
 2,3,4,6,8 [51,76,102,152,203]
 2,3,4 [51,76,102]

(Specify size/type) OUTLET

___ IC Inside Caulk
 ___ IG Inside Gasket
 ___ NH No-Hub
 ___ NL Neo-Loc

'E' DIM.

5-1/4 [133]
 5-1/4 [133]
 5-1/4 [133]
 4-5/8 [117]

PREFIXES

___ Z D.C.C.I. Body and Top*
 ___ ZN D.C.C.I. Body with Polished Nickel Bronze Top (Add 11/16 [17] to 12-1/4 [311] & 3/16 [5] to 3-1/16 [77] to 5 [127] Dim.)

SUFFIXES

___ -DG Duresist Grate
 ___ -G Galvanized Cast Iron
 ___ -S Secondary Strainer (2-4 [51-102] Outlets Only)
 ___ -T Square Top
 ___ -TC Neo-Loc Test Cap Gasket (2, 3, 4 [51, 76, 102] NL Bottom Outlet Only)
 ___ -TS Top Secured with Slotted Screws
 ___ -V Backwater Valve (See Z1099)
 ___ -VP Vandal-Proof Secured Top
 ___ -Y Sediment Bucket

* Regularly furnished unless otherwise specified.

Zurn Industries, LLC | Specification Drainage Operation
1801 Pittsburgh Avenue, Erie, PA 16502, Ph. 855-663-9876, Fax 814-454-7929

In Canada | Zurn Industries Limited
7900 Goreway Drive, Unit 10, Brampton, Ontario L6T 5W6, Ph. 877-892-5216

www.zurn.com

Rev. G
 Date: 11/13/2019
 C.N. No. 141246
 Prod. | Dwg. No. Z521