

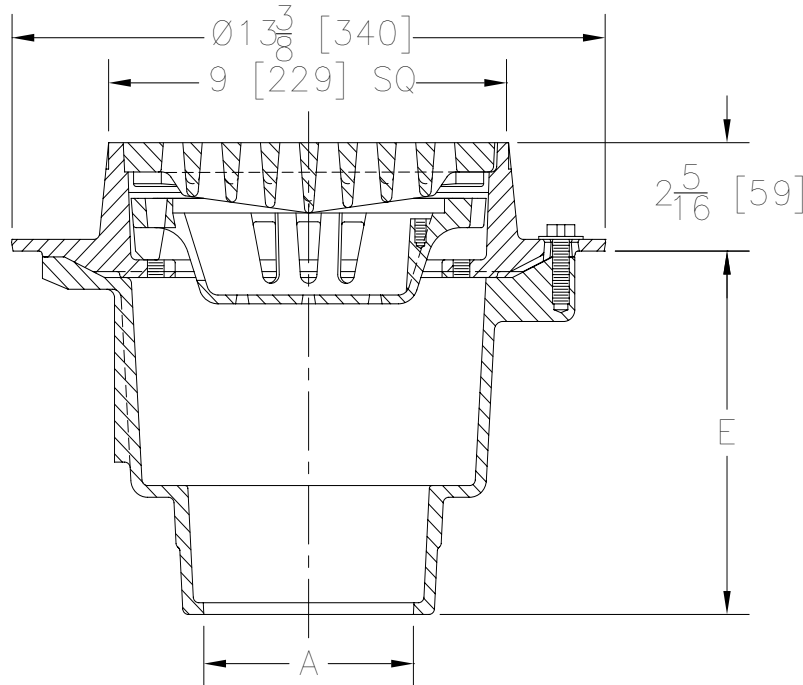


Z513
9 [229] SQUARE HINGED HEAVY-DUTY DRAIN

SPECIFICATION SHEET

TAG _____

Design and Dimensional Data (inches and [mm]) are Subject to Manufacturing Tolerances and Change Without Notice



A- Pipe Size In.[mm]	Approx. Wt.Lbs. [kg]	Grate Open Area Sq. In. [cm ²]
3, 4 [76, 102]	57 [26]	20 [129]

ENGINEERING SPECIFICATION: ZURN Z513
9" [229mm] Square top drain, Dura-Coated cast iron deep sump body with bottom outlet, seepage pan and combination flashing clamp and frame for hinged heavy-duty slotted grate with suspended sediment bucket.

OPTIONS (Check/specify appropriate options)

PIPE SIZE (ØA)

3, 4 [76, 102]

OUTLET (specify size)

___ NL Neo-Loc

'E' BODY HT. DIM.

6-5/8 [168]

PREFIXES

___ Z D.C.C.I. Body and Top*

___ ZN D.C.C.I. Body with Polished Nickel Bronze Top (Add 3/16 [5] to 2-5/16 [59] Dim. & 3/4 [19] to 9 [229] Dim.)

SUFFIXES

___ -AR Acid Resisting Epoxy Coated Cast Iron

___ -G Galvanized Cast Iron

___ -HL Hinged Locking Grate

___ -P Trap Primer Connection

___ -SS Stainless Mesh Liner for Bucket

___ -TC Neo-Loc Test Cap Gasket

(3, 4 [76, 102] NL Bottom Outlet Only)

___ -VP Vandal-Proof Secured Top

* Regularly furnished unless otherwise specified

⚠ **WARNING:** Cancer and Reproductive Harm - www.P65Warnings.ca.gov

⚠ **ADVERTENCIA:** Cáncer y daño reproductivo - www.P65Warnings.ca.gov

⚠ **AVERTISSEMENT:** Cancer et effets néfastes sur la reproduction - www.P65Warnings.ca.gov

Zurn Industries, LLC | Specification Drainage Operation
1801 Pittsburgh Avenue, Erie, PA 16502, Ph. 855.663.9876

In Canada | Zurn Industries Limited
7900 Goreway Drive, Unit 10, Brampton, Ontario L6T 5W6, Ph. 877.892.5216

www.zurn.com

Rev. F
Date: 12/29/2020
C.N. No. 143357
Prod. | Dwg. No. Z513