

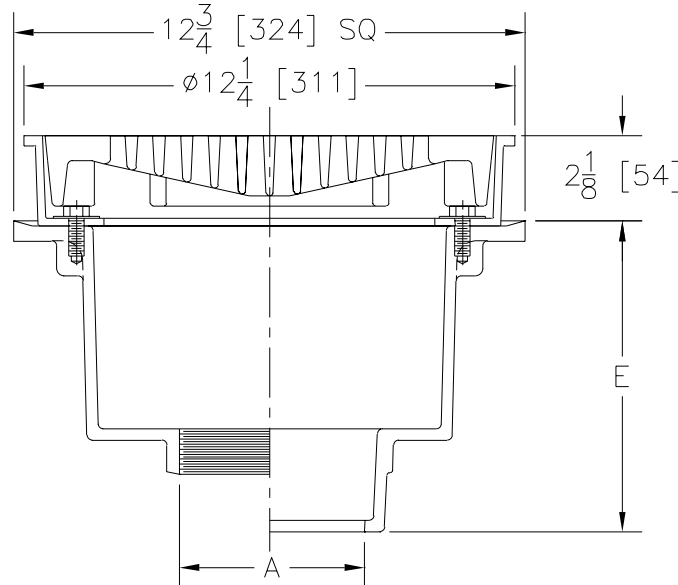


**Z512**  
12-1/4 [311] HEAVY-DUTY DRAIN

SPECIFICATION SHEET

TAG \_\_\_\_\_

Design and Dimensional Data (inches and [ mm ]) are Subject to Manufacturing Tolerances and Change Without Notice



'A' Pipe Size In. [mm]	Approx. Wt. Lbs. [kg]	Grate Open Area Sq. In. [cm <sup>2</sup> ]
3, 4, 6 [76, 102, 152]	44 [20]	30 [194]

**ENGINEERING SPECIFICATION: ZURN Z512**

12-1/4 [311] Diameter top drain, Dura-Coated cast iron deep sump body with bottom outlet, seepage pan and combination flashing clamp and frame for heavy-duty tractor grate.

**OPTIONS** (Check/specify appropriate options)

**PIPE SIZE**

- \_\_\_ 4, 6 [102, 152]
- \_\_\_ 4, 6 [102, 152]
- \_\_\_ 4, 6 [102, 152]
- \_\_\_ 3, 4, 6 [76, 102, 152]
- \_\_\_ 3, 4 [76, 102]

(Specify size/type) **OUTLET**

- \_\_\_ IC Inside Caulk
- \_\_\_ IG Inside Gasket
- \_\_\_ IP Threaded
- \_\_\_ NH No-Hub
- \_\_\_ NL Neo-Loc

**'E' BODY HT. DIM.**

- \_\_\_ 7-3/4 [197]
- \_\_\_ 7-3/4 [197]
- \_\_\_ 6-5/16 [160]
- \_\_\_ 7-13/16 [198]
- \_\_\_ 7-1/4 [184]

**PREFIXES**

- \_\_\_ Z D.C.C.I. Body and Top\*
- \_\_\_ ZN D.C.C.I. Body with Polished Nickel Bronze Top (Add 3/16 [5]) to 2-1/8 [54] Dim. and 3/4 [19] to 12-1/4 [311] Dim.)

**SUFFIXES**

- \_\_\_ -AR Acid Resisting Epoxy Coated Cast Iron
- \_\_\_ -DG Duresist Grate
- \_\_\_ -G Galvanized Cast Iron
- \_\_\_ -S Secondary Strainer
- \_\_\_ -SS Stainless Mesh Liner for Bucket
- \_\_\_ -T Square Top
- \_\_\_ -TC Neo-Loc Test Cap Gasket  
(3, 4 [76, 102] NL Bottom Outlet Only)
- \_\_\_ -TS Top Secured with Slotted Screws
- \_\_\_ -VP Vandal-Proof Secured Top
- \_\_\_ -Y Sediment Bucket

\* Regularly furnished unless otherwise specified

⚠ **WARNING:** Cancer and Reproductive Harm - [www.P65Warnings.ca.gov](http://www.P65Warnings.ca.gov)

⚠ **ADVERTENCIA:** Cáncer y daño reproductivo - [www.P65Warnings.ca.gov](http://www.P65Warnings.ca.gov)

⚠ **AVERTISSEMENT:** Cancer et effets néfastes sur la reproduction - [www.P65Warnings.ca.gov](http://www.P65Warnings.ca.gov)

Zurn Industries, LLC | Specification Drainage Operation  
1801 Pittsburgh Avenue, Erie, PA 16502, Ph. 855.663.9876

In Canada | Zurn Industries Limited  
7900 Goreway Drive, Unit 10, Brampton, Ontario L6T 5W6, Ph. 877.892.5216

[www.zurn.com](http://www.zurn.com)

Rev. H  
Date: 12/30/2020  
C.N. No. 143356  
Prod. | Dwg. No. Z512