

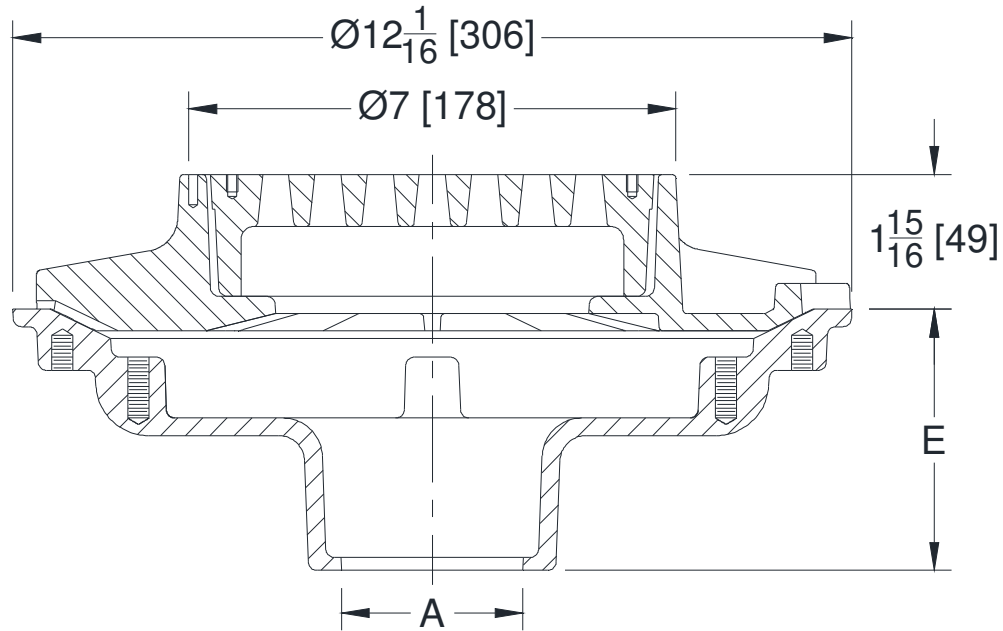
**Z507**

7[178] DIAMETER TOP MEDIUM-DUTY DRAIN

SPECIFICATION SHEET

TAG _____

Dimensional Data (inches and [mm]) are Subject to Manufacturing Tolerances and Change Without Notice



A Pipe Size In. [mm]	Approx. Wt. Lbs. [kg]	Grate Open Area Sq. In. [cm ²]
2, 3, 4 [51, 76, 102]	27 [12]	9 [58]
6 [152]	29 [13]	

ENGINEERING SPECIFICATION: ZURN Z507

7" [178mm] Diameter top drain, Dura-Coated cast iron body with bottom outlet, seepage pan and combination membrane flashing clamp and frame for medium-duty cast iron deep flange slotted grate.

OPTIONS (Check/specify appropriate options)**PIPE SIZE**

4 [102]
 4 [102]
 3, 4 [76, 102]
 2, 3, 4 [51, 76, 102]
 6 [152]
 2, 3, 4 [51, 76, 102]

(Specify size/type) **OUTLET**

___ IC Inside Caulk
 ___ IG Inside Gasket
 ___ IP Threaded
 ___ NH No-Hub
 ___ NH No-Hub
 ___ NL Neo-Loc

'E' BODY HT. DIM.

3-3/4 [95]
 3-3/4 [95]
 2-3/4 [70]
 4-3/4 [121]
 5-1/4 [133]
 3-9/16 [90]

PREFIXES

___ Z D.C.C.I. Body and Top*
 ___ ZN D.C.C.I. Body with Polished Nickel Bronze Top (Add 3/16 [5] to 1-15/16 [48] Dim.)

SUFFIXES

___ -AR Acid Resisting Epoxy Coated Cast Iron
 ___ -G Galvanized Cast Iron
 ___ -P Trap Primer Connection
 ___ -TC Neo-Loc Test Cap Gasket (2, 3, 4 [51, 76, 102] NL Bottom Outlet Only)
 ___ -TS Top Secured with Slotted Screws
 ___ -VP Vandal-Proof Secured Top
 ___ -Y Sediment Bucket

* Regularly furnished unless otherwise specified.

Zurn Industries, LLC | Specification Drainage Operation
 1801 Pittsburgh Avenue, Erie, PA 16502, Ph. 855-663-9876, Fax 814-454-7929
 In Canada | **Zurn Industries Limited**
 7900 Goreway Drive, Unit 10, Brampton, Ontario L6T 5W6, Ph. 877-892-5216
www.zurn.com

Rev. H
 Date: 10/16/2019
 C.N. No. 137886
 Prod. | Dwg. No. Z507