



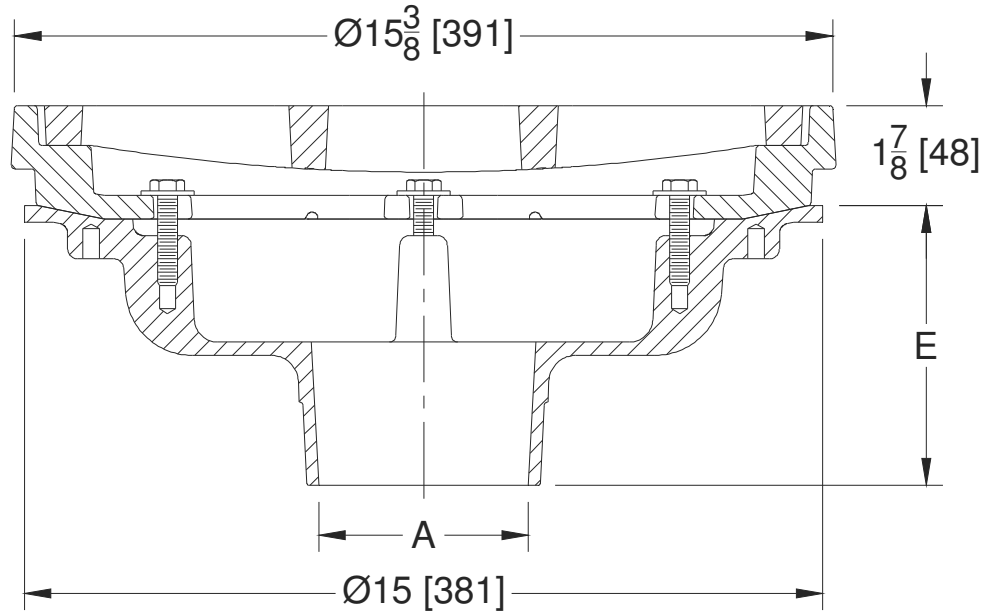
**Z503**

**15-3/8 [391] DIAMETER TOP HEAVY-DUTY  
AREA DRAIN**

SPECIFICATION SHEET

TAG \_\_\_\_\_

Dimensional Data (inches and [ mm ]) are Subject to Manufacturing Tolerances and Change Without Notice



A Pipe Size In. [mm]	Approx. Wt. Lbs. [kg]	Grate Open Area Sq. In. [cm <sup>2</sup> ]
2,3,4 [51,76,102]	65 [29]	53 [242]
6 [152]	62 [28]	
8 [203]	63 [29]	

**ENGINEERING SPECIFICATION: ZURN Z503**

15-3/8 [391mm] Diameter top drain, Dura-Coated cast iron body with bottom outlet, combination membrane flashing clamp and frame for heavy-duty anti-tilt slotted grate.

**OPTIONS** (Check/specify appropriate options)

**PIPE SIZE**

- 3,4,6 [76,102,152]
- 3,4,6 [76,102,152]
- 2,3,4,6,8 [51,76,102,152,203]
- 2,3,4 [51,76,102]

(Specify size/type) **OUTLET**

- \_\_\_\_\_ IC Inside Caulk
- \_\_\_\_\_ IG Inside Gasket
- \_\_\_\_\_ NH No-Hub
- \_\_\_\_\_ NL Neo-Loc

**'E' DIM.**

- 5-1/4 [133]
- 5-1/4 [133]
- 5-1/4 [133]
- 4-5/8 [117]

**PREFIXES**

- \_\_\_\_\_ Z D.C.C.I. Body and Top\*
- \_\_\_\_\_ ZB D.C.C.I. Body with Polished Bronze Top (Add 3/16 [5] to 1-7/8 [48] Dim.)
- \_\_\_\_\_ ZN D.C.C.I. Body with Polished Nickel Bronze Top (Add 3/16 [5] to 1-7/8 [48] Dim.)

**SUFFIXES**

- \_\_\_\_\_ -AR Acid Resisting Epoxy Coated Cast Iron
- \_\_\_\_\_ -DG Duresist Grate
- \_\_\_\_\_ -G Galvanized Cast Iron
- \_\_\_\_\_ -S Secondary Strainer (2-4 [51-102] Outlets Only)
- \_\_\_\_\_ -TC Neo-Loc Test Cap Gasket (2, 3, 4 [51, 76, 102] NL Bottom Outlet Only)
- \_\_\_\_\_ -TS Top Secured with Slotted Screws
- \_\_\_\_\_ -V Backwater Valve (See Z1099)
- \_\_\_\_\_ -VP Vandal-Proof Secured Top
- \_\_\_\_\_ -Y Sediment Bucket

\* Regularly furnished unless otherwise specified.