



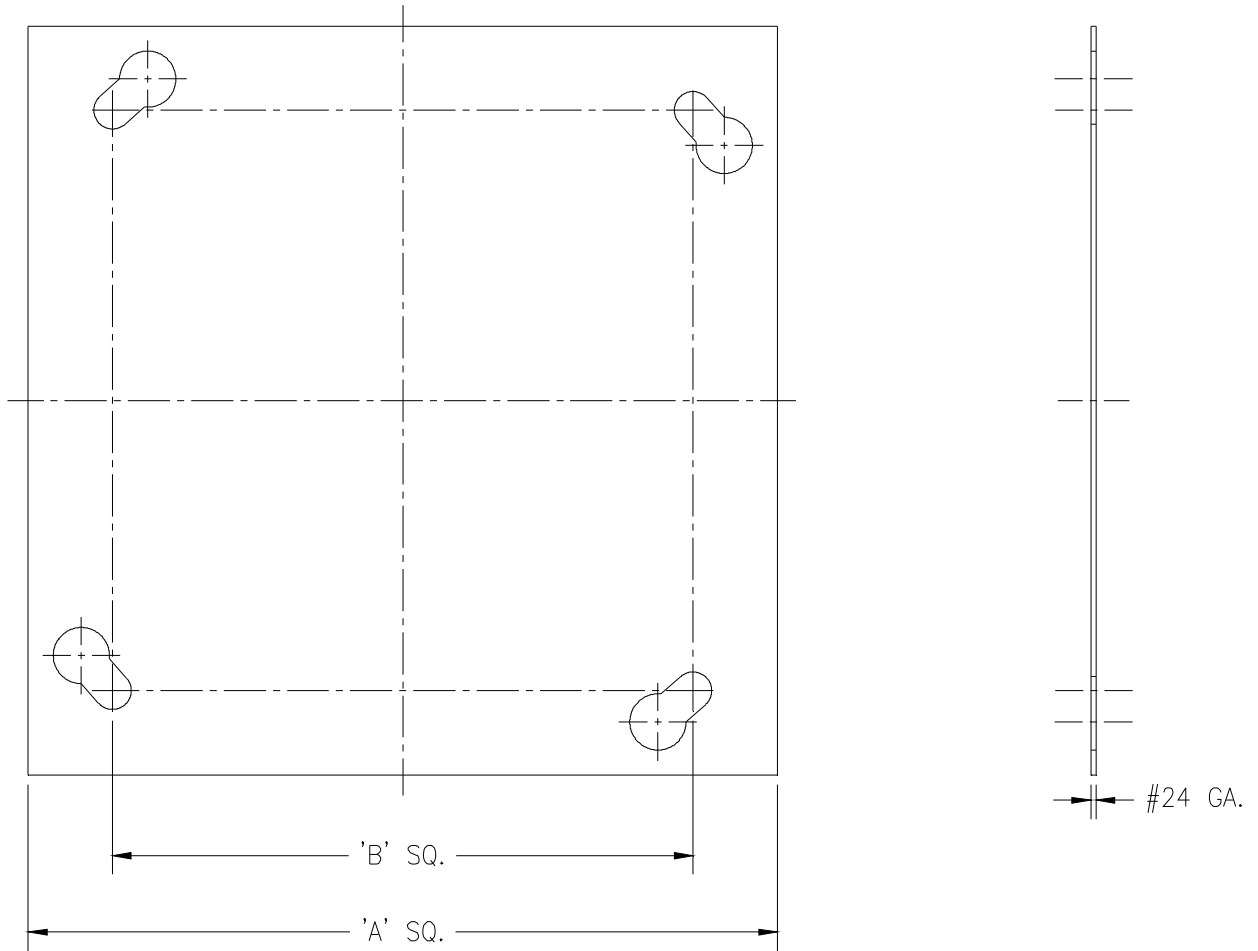
Z499S

SQUARE FLOOR DRAIN PROTECTIVE COVER

SPECIFICATION SHEET

TAG _____

Dimensional Data (inches and [mm]) are Subject to Manufacturing Tolerances and Change Without Notice



Product Designation	Dimensions in Inches	
	'A' Sq.	'B' Sq.
Z499S-5	5 [127]	3-7/8 [98]
Z499S-6	6 [152]	4-7/8 [124]
Z499S-7	7 [178]	6 [152]
Z499S-8	8 [203]	7-1/8 [181]
Z499S-9	9 [229]	7-1/8 [181]
Z499S-10	10 [254]	7-1/8 [181]

ENGINEERING SPECIFICATION: ZURNZ499S

Floor Drain Protective Cover. Galvanized carbon steel plate with slotted screw holes to allow rotational assembly and removal without disengaging the strainer screws. Designed for use with standard ZB and ZN400 'Type S' strainer assemblies.

REV. B DATE: 03/11/13 C.N. NO. 128916
PROD./DWG. NO. Z499S