

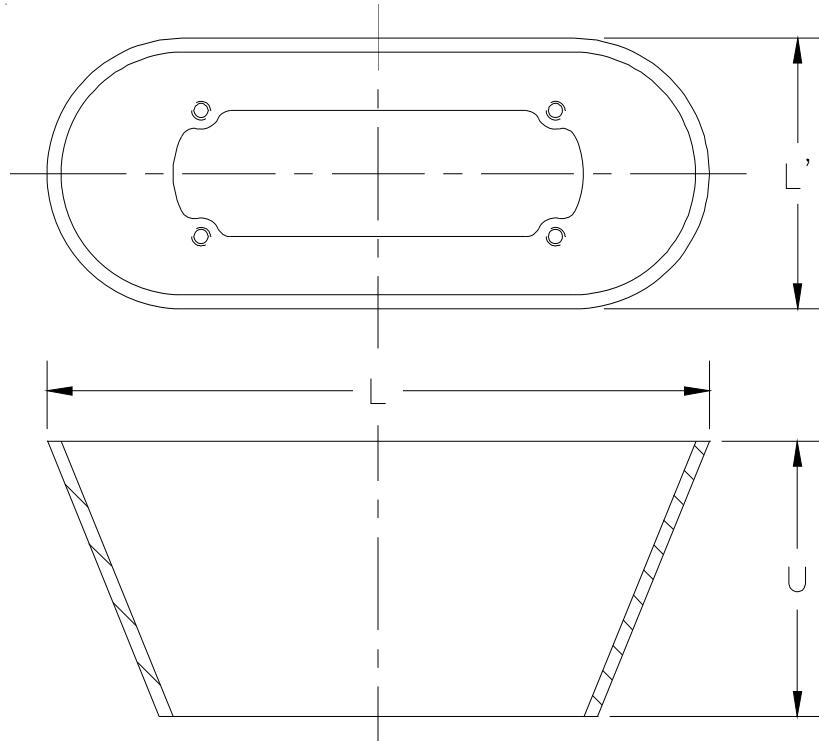


**Z329**  
**FUNNEL CONVERTING ASSEMBLY**

SPECIFICATION SHEET

TAG \_\_\_\_\_

Dimensional Data (inches and [ mm ]) are Subject to Manufacturing Tolerances and Change Without Notice



**ENGINEERING SPECIFICATION: ZURN Z329**  
 7" [178mm] or 9" [229mm] (specify) Oval funnel converting assembly, Dura-Coated cast iron (or finish to suit drain top), with necessary fasteners to secure funnel to strainer. (Available on 7" [178mm] diameter or larger size drain tops only.)

Product Designation	Dimensions In Inches [mm]			Approx. Wt. Lbs. [kg]
	L	L'	U	
-7	6-3/4 [171]	3 [76]	1[25]	2 [1]
-9	8-7/8 [225]	3-5/8 [92]	3-3/4 [95]	4 [2]

**OPTIONS** (Check/specify appropriate options)

**PREFIXES**

- \_\_\_ Z D.C.C.I. Funnel\*
- \_\_\_ ZN Polished Nickel Bronze Funnel

**SUFFIXES**

- \_\_\_ -AR Acid Resisting Epoxy Coated Cast Iron

\* Regularly furnished unless otherwise specified.