



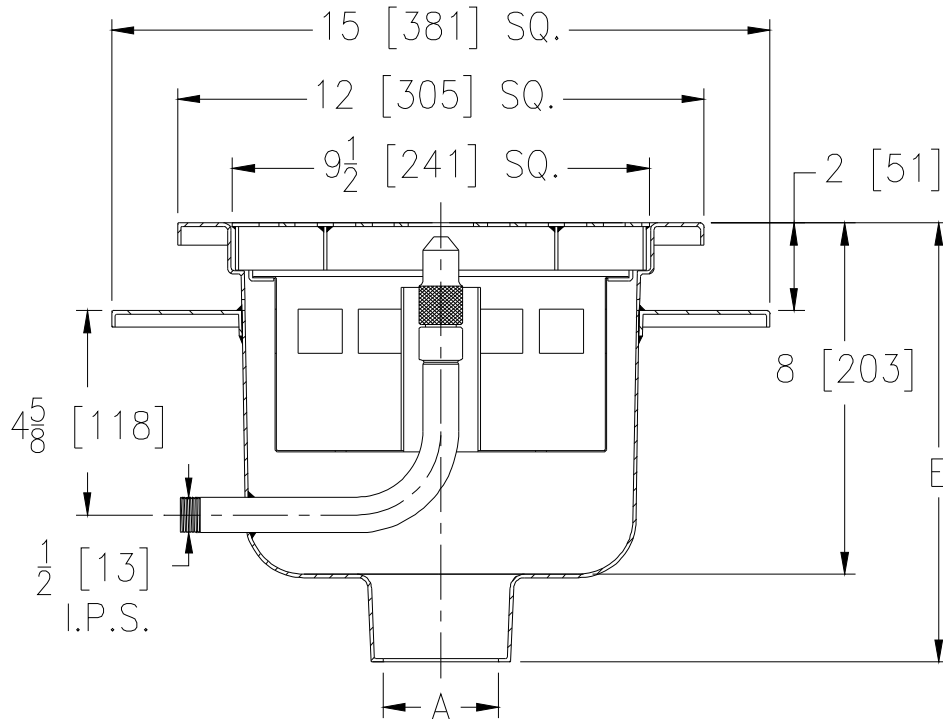
# Z1982

12 X 12 [305 X 305] STAINLESS STEEL  
SANI-FLOR CAN WASH DRAIN 8 [203] SUMP DEPTH

SPECIFICATION SHEET

TAG \_\_\_\_\_

Dimensional Data (inches and [ mm ]) are Subject to Manufacturing Tolerances and Change Without Notice



A- Pipe Size in. [mm]	Approx Wt. lbs. [kg]	Grate Open Area in. <sup>2</sup> [cm <sup>2</sup> ]
3,4 [76,102]	45 [20]	20 [129]

**ENGINEERING SPECIFICATION: ZURN Z1982**  
Sani-Flor Can Wash Drain, 12" x 12" x 8" [305mm x 305mm x 203mm] deep fabricated stainless steel body with bottom outlet, anchor pan, medium-duty stainless steel loose set grate, with standing sediment bucket. Complete with chrome plated bronze spray nozzle and water supply assembly.

### OPTIONS (Check/specify appropriate options)

#### PIPE SIZE

3,4 [76,102]

#### (Specify size/type) OUTLET

\_\_\_\_ NH No-Hub

#### 'E' BODY HT. DIMENSION

10 [254]

#### PREFIXES

\_\_\_\_ Z All Type 304 Stainless Steel

#### SUFFIXES

- \_\_\_\_ -C Clamp Collar
- \_\_\_\_ -WB Water Supply Control Box (See Z1464)
- \_\_\_\_ -11 Vandal-Proof Secured Grate
- \_\_\_\_ -31 Stainless Steel Mesh Liner for Bucket

\* Regularly furnished unless otherwise specified.