



Z1902-RL

12 x 12 x 10 [305 x 305 x 254] REPLACEMENT FLOOR SINK LINER

SPECIFICATION SHEET

TAG _____

Dimensional Data (inches and [mm]) are Subject to Manufacturing Tolerances and Change Without Notice

Engineering Specification: ZURN Z1902-RL
12 x 12 x 10 [305 x 305 x 254] deep, 18 gage, all type 304 (CF8) fabricated stainless steel replacement floor sink liner, with internal pipe gasket seal, light-duty slotted, loose set grate and perforated removable dome strainer.

Approx. Wt. Lbs. [kg]	Grate Open Area Sq. In. [cm ²]
8 [4]	21.7 [140]

Options (Check/specify appropriate options)

Pipe Size (ØA)

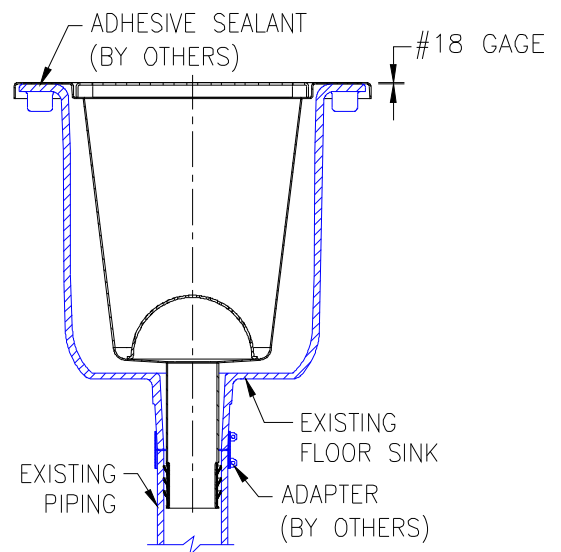
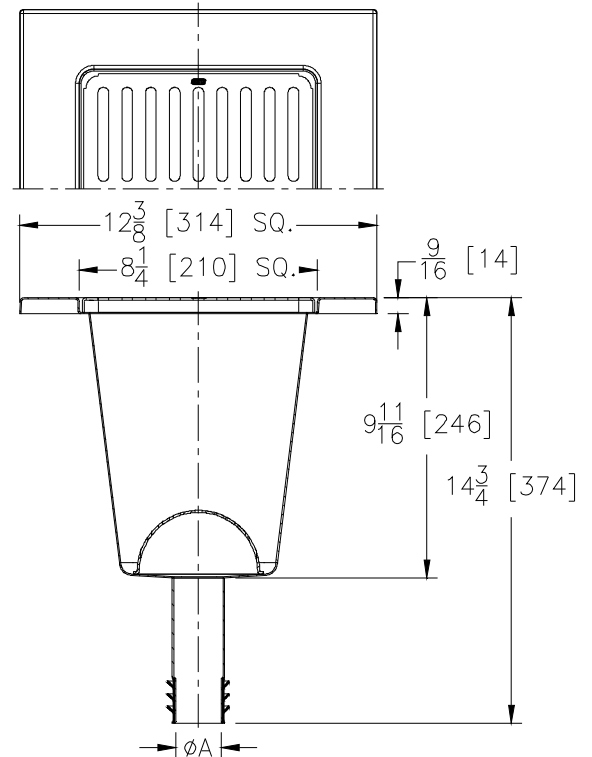
2-3-4 [51-76-102]

Prefixes

___ Z All Type 304 (CF8) Fabricated Stainless Steel*

Suffixes

- ___ -1 Less Grate
- ___ -2 1/2 Grate
- ___ -3 3/4 Grate
- ___ -Y Sediment Bucket



* Regularly furnished unless otherwise specified.