



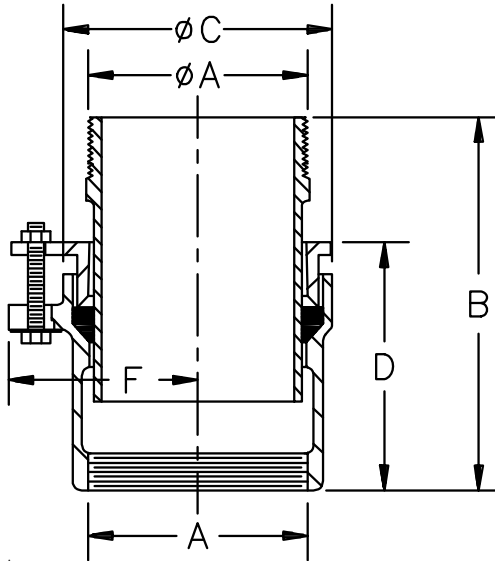
Z190

VERTICAL EXPANSION JOINT

SPECIFICATION SHEET

TAG _____

Dimensional Data (inches and [mm]) are Subject to Manufacturing Tolerances and Change Without Notice



A Pipe Size In [mm]	Dimensions In In [mm]					Approx. Wt. Lbs. [kg]
	B		C	D	F	
	Min.	Max.				
2 [51]	6 1/2 [165]	8 1/2 [216]	3-5/8 [92]	5 [127]	2-3/4 [70]	8 [4]
3 [76]			4-5/8 [117]		3-1/4 [82]	11 [5]
4 [102]			5-1/2 [140]		4-3/4 [121]	3-3/4 [95]
6 [152]	6 7/8 [175]	8 5/8 [219]	6-1/2 [165]	5 [127]	4-1/4 [108]	18 [8]
			7-7/8 [200]		5 [127]	25 [11]
8 [203]	7 7/8 [200]	10 7/8 [276]	9-7/8 [251]		6 [152]	35 [16]
10 [254]			11-3/4 [298]	6 [152]	6-7/8 [175]	45 [20]

ENGINEERING SPECIFICATION: ZURN ZRB190
Vertical expansion joint, Dura-Coated cast iron body, packing gland and siliconed bronze sleeve with preformed neoprene packing gasket.

OPTIONS (Check/specify appropriate options)

PIPE SIZE

2,3,4,6,8,10 [51,76,102,152,203,254]
(IP w/ Z1040)

(Specify size/type) **OUTLET**

___ IP Threaded
___ NH No-Hub

'D' BODY HT. DIM.

See Chart

PREFIXES

___ ZRB D.C.C.I. Body with Polished Bronze Sleeve*

SUFFIXES

___ -G Galvanized Cast Iron

* Regularly furnished unless otherwise specified.