



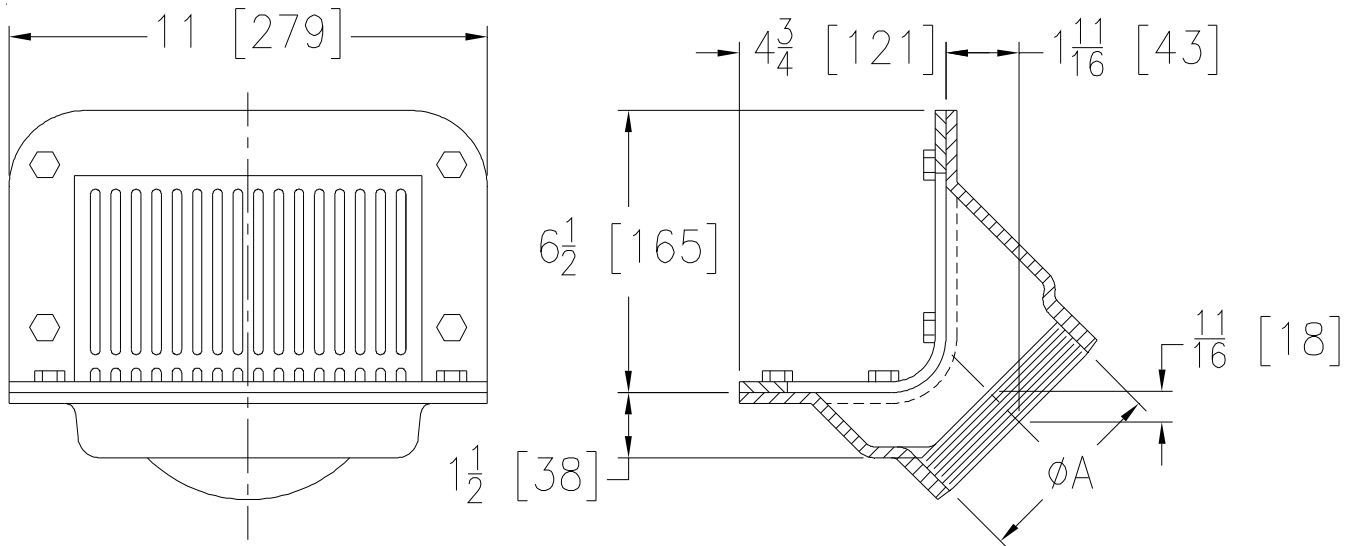
Z189

4-3/4 X 6-1/2 X 11 [121 X 165 X 279]
SCUPPER DRAIN

SPECIFICATION SHEET

TAG _____

Dimensional Data (inches and [mm]) are Subject to Manufacturing Tolerances and Change Without Notice



A Pipe Size In [mm]	Approx. Wt. Lbs. [kg]	Grate Open Area Sq. In. [cm ²]
2 [51]	18 [8]	20 [129]
3 [76]		
4 [102]		

ENGINEERING SPECIFICATION: ZURN Z189

4-3/4" x 6-1/2" x 11 [121mm x 165mm x 279mm] Scupper drain, Dura-Coated cast iron body with 45° outlet and flush type aluminum strainer with combination aluminum frame and membrane flashing clamp.

OPTIONS (Check/specify appropriate options)

PIPE SIZE

2, 3, 4 [51, 76, 102]
2, 3, 4 [51, 76, 102]

(Specify size/type) OUTLET

___ IP Threaded
___ NH No-Hub (IP w/Z1040)

PREFIXES

___ Z D.C.C.I. Body with Aluminum Grate*
___ ZB D.C.C.I. Body with Polished Bronze Grate
___ ZN D.C.C.I. Body with Polished Nickel Bronze Grate

SUFFIXES

___ -G Galvanized Cast Iron
___ -TS Secured Top
___ -VP Vandal-Proof Secured Top
___ -90 90° Threaded Side Outlet Body

* Regularly furnished unless otherwise specified.