



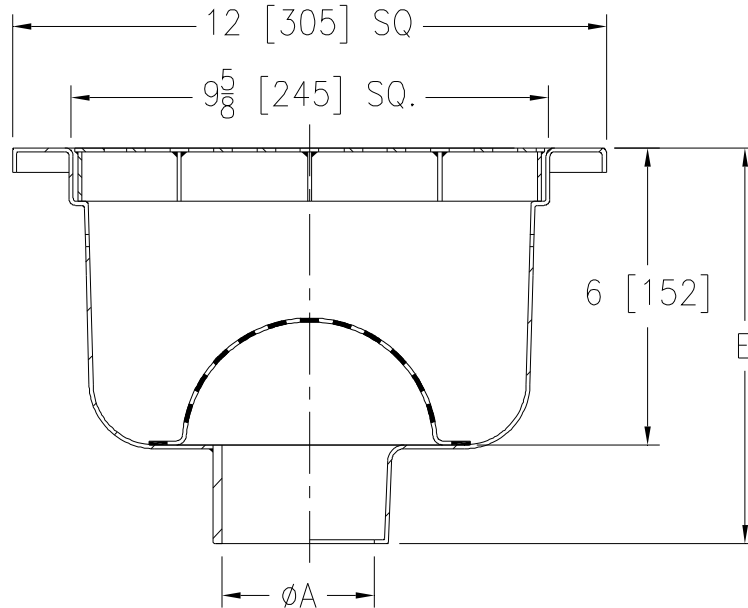
Z1750

12 X 12 [305 x 305] SANI-FLOR RECEPTOR
6 [152] SUMP DEPTH

SPECIFICATION SHEET

TAG _____

Dimensional Data (inches and [mm]) are Subject to Manufacturing Tolerances and Change Without Notice



A- Pipe Size In. [mm]	Approx. Wt. Lbs. [kg]	Grate Open Area Sq. In. [cm ²]
2, 3, 4 [51, 76, 102]	15 [7]	23 [148]
6 [152]	17 [8]	

ENGINEERING SPECIFICATION: ZURNZ1750

12" x 12" x 6" [305mm x 305mm x 152mm] deep, 16 gage, All Type 304 (CF8) Stainless Steel light-duty Sani-Flor receptor with non-tilt, loose set full grate with 1/2" [13mm] square openings and anti-splash stainless steel interior dome strainer.

OPTIONS (Check/specify appropriate options)

PIPE SIZE

3, 4 [76, 102]
2, 3, 4, 6 [51, 76, 102, 152]
3, 4 [76, 102]

(Specify size/type) OUTLET

_____ IC Inside Caulk
_____ NH No-Hub
_____ NL Neo-Loc

'E' BODY HT. DIM.

8-9/16 [214]
8-1/16 [205]
7-13/16 [198]

PREFIXES

_____ Z Type 304 (CF8) Stainless Steel Body*
_____ ZM Type 316 (CF8M) Stainless Steel

SUFFIXES

_____ -DX	Dex-o-tex Flange	_____ -1	(Less) Grate
_____ -HD	Extra Heavy Duty Grate	_____ -2	1/2 Grate
_____ -HP	Heel-Proof Grate	_____ -3	3/4 Grate
_____ -K	Anchor Flange	_____ -4	Full Grate w/ 3 [76] Square Opening
_____ -KC	Anchor Flange w/ Seepage Holes and Clamp Collar	_____ -5	Grate w/ 4 [102] Dia. x 3 3/4 [95] High Type 304 Stainless Steel Funnel
_____ -P	1/2 [13] Trap Primer Connection	_____ -8	Grate w/ 8-3/8 x 3-5/8 x 3-3/4 [213 x 92 x 95] High Type 304 Stainless Steel Oval Funnel
_____ -SG	Solid Gasketed Cover	_____ -15	Solid Cover
_____ -TC	Neo-Loc Test Cap Gasket (3, 4 [76, 102] NL Bottom Outlet Only)	_____ -16	1/2 Solid Cover
_____ -VP	Vandal-Proof Secured Top	_____ -19	Full Hinged Grate
_____ -Y	Sediment Bucket	_____ -20	Full Hinged Solid Cover
_____ -YS	Suspended Sediment Bucket		

* Regularly furnished unless otherwise specified.

Zurn Industries, LLC | Specification Drainage Operation
1801 Pittsburgh Avenue, Erie, PA U.S.A. 16502 · Ph. 855-663-9876, Fax 814-454-7929
In Canada | Zurn Industries Limited
3544 Nashua Drive, Mississauga, Ontario L4V 1L2 · Ph. 905-405-8272, Fax 905-405-1292
www.zurn.com

Rev. K
Date: 09/28/2017
C.N. No. 138069
Prod. | Dwg. No. Z1750