



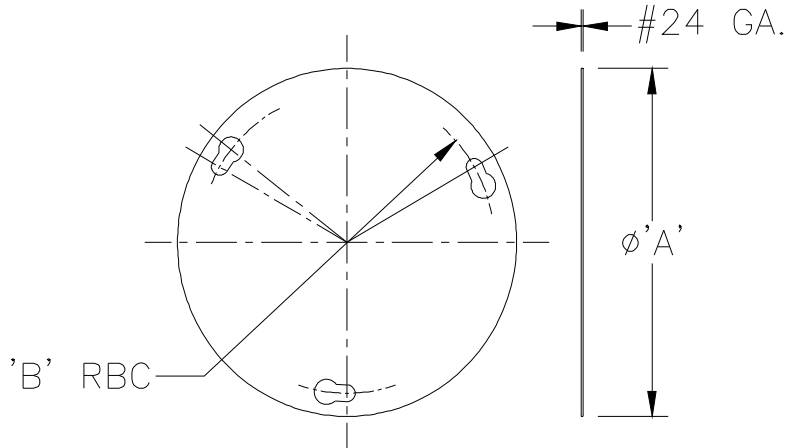
Z1499

ROUND CLEANOUT PROTECTIVE COVER

SPECIFICATION SHEET

TAG _____

Dimensional Data (inches and [mm]) are Subject to Manufacturing Tolerances and Change Without Notice



Product Designation	Dimensions in Inches	
	Dia. 'A'	Dia 'B'
For ZN or ZB Tops (Excludes -HD)		
Z1499-4	4 [102]	1-9/16 [40]
Z1499-5	5 [127]	2-1/16 [52]
Z1499-6	6 [152]	2-9/16 [65]
Z1499-7	7-1/8 [181]	3-1/16 [78]
Z1499-8	8-1/8 [206]	3-9/16 [90]
Z1499-9	9-1/8 [232]	4-1/16 [103]
For Z Tops		
Z1499-CI-4	4-1/8 [105]	1-7/16 [37]
Z1499-CI-5	5-1/8 [130]	1-15/16 [49]
Z1499-CI-6	6-1/8 [156]	2-7/16 [62]
Z1499-CI-7	7-1/4 [184]	2-15/16 [75]
Z1499-CI-8	8-1/4 [210]	3-7/16 [87]
Z1499-CI-9	9-3/16 [233]	4-9/16 [116]

ENGINEERING SPECIFICATION: ZURN Z1499

Cleanout Protective Cover. Galvanized carbon steel plate with slotted screw holes to allow rotational assembly and removal without disengaging the strainer screws. Designed for use with standard Z, ZB, or ZN 1400 Cleanout.

REV.	DATE: 04/16/13	C.N. NO. 129150	
PROD./DWG. NO. Z1499			