

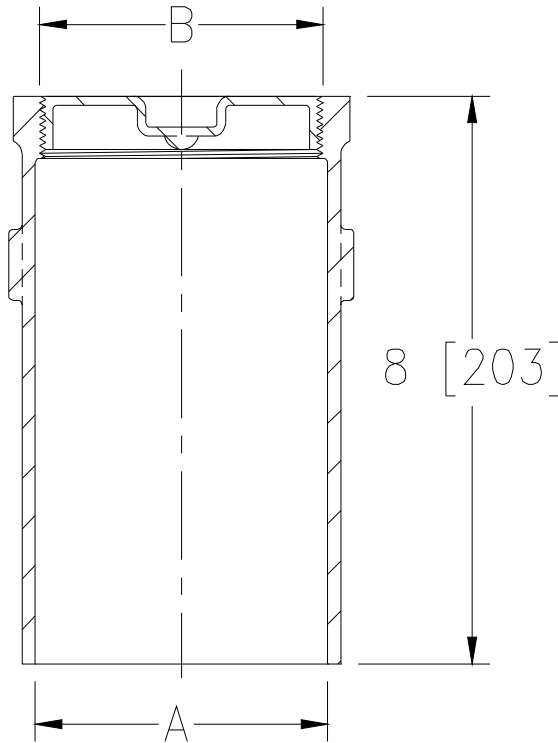


Z1449
CLEANOUT FERRULE WITH PLUG

SPECIFICATION SHEET

TAG _____

Dimensional Data (inches and [mm]) are Subject to Manufacturing Tolerances and Change Without Notice



A-Pipe Size In [mm]	B N.P.T.	Approx. Wt. Lbs. [kg]
3 [76]	2	6 [3]
4 [102]	3-1/2	8 [4]
6 [152]	3-1/2	13 [6]

ENGINEERING SPECIFICATION: ZURNZ1449
Cleanout Ferrule, Dura-Coated cast iron body with gas and watertight ABS countersunk plug.

OPTIONS (Check/specify appropriate options)

PIPE SIZE

3,4, 6 [76,102,152]

OUTLET(Specify size)

_____ SP Spigot

PREFIXES

_____ Z Dura-Coated Cast Iron with ABS Plug*

SUFFIXES

- _____ -A Raised Head Plug
- _____ -BP Bronze Plug
- _____ -G Galvanized Cast Iron

* Regularly furnished unless otherwise specified.