



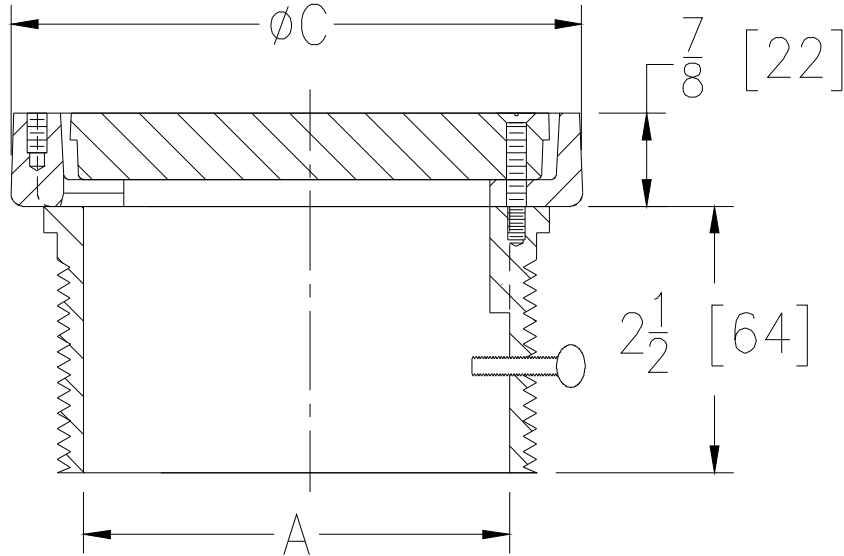
Z1404

HEAVY-DUTY FLOOR ACCESS HOUSING

SPECIFICATION SHEET

TAG _____

Dimensional Data (inches and [mm]) are Subject to Manufacturing Tolerances and Change Without Notice



Dimensions In Inches[mm]		Approx. Wt. Lbs. [kg]
A-Pipe Size	C	
3 [76]	6-1/8 [156]	3 [1]
4 [102]	7-1/4 [184]	4 [2]
6 [152]	9-1/4 [235]	8 [4]

ENGINEERING SPECIFICATION: ZURN Z1404

Floor access housing, Dura-coated cast iron with round frame and scoriated cast iron heavy-duty secured cover complete with adjusting setscrews.

OPTIONS (Check/specify appropriate options)

ACCESSHOUSING

3, 4, 6 [76, 102, 152]

(Specify size) **OUTLET**

___ SJ Slip Joint

PREFIXES

- ___ Z Dura-Coated Cast Iron*
- ___ ZN D.C.C.I. Body with Polished Nickel Bronze Light-Duty Top (Deduct 1/2 [13] from 7/8 [22] Dim.)
- ___ ZS D.C.C.I. Body with Polished Stainless Steel Heavy-Duty Top (Add 3/16 [5] to 7/8 [22] Dim.)

SUFFIXES

- ___ -HD Heavy-Duty Veneer Top (Add 1/8 [3] to 2-1/2 [64] Dim. for (ZN only)
- ___ -VP Vandal-Proof Screws

* Regularly furnished unless otherwise specified.