



Z1397XL

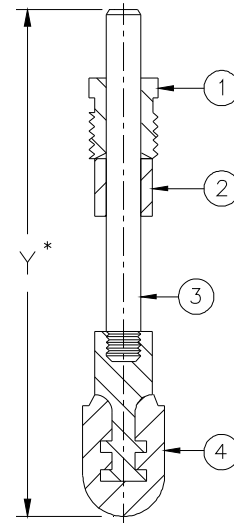
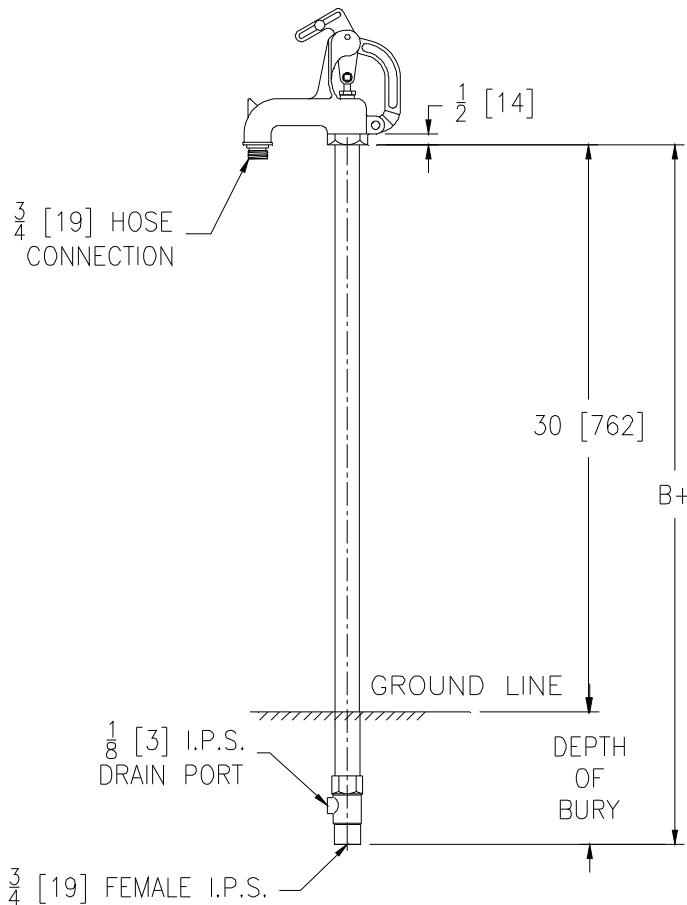
FLO-TROL YARD HYDRANT

Exposed Head, Non-Freeze

SPECIFICATION SHEET

TAG _____

Dimensional Data (inches and [mm]) are Subject to Manufacturing Tolerances and Change Without Notice



Internal Components

Item	Name	Quan.
1	Packing Nut	1
2	Packing	1
3	Operating Rod	1
4	Plunger	1

Depth of Bury Feet [mm]	B+ Dim. Feet [mm]	Approx. Wt. lbs [kg]
2 [610]	4-1/2 [1372]	15 [7]
3 [914]	5-1/2 [1676]	19 [9]
4 [1219]	6-1/2 [1981]	23 [10]
5 [1524]	7-1/2 [2286]	27 [12]
6 [1829]	8-1/2 [2591]	31 [14]
8 [2438]	10-1/2 [3200]	39 [18]

ENGINEERING SPECIFICATION: ZURN Z1397XL

Exposed, lead-free, non-freeze yard hydrant. Hydrant features a Dura-Coated cast iron head and lift handle with lock option, slotted links for adjustable locking flow control, galvanized steel casing, bronze and stainless steel interior components, 3/4" [19] inlet connection with 1/8" [3] tapped drainage port on housing, and 3/4" [19] male hose connection.

Zurn "XL" Lead-Free compliant products are a line of durable plumbing products designed and manufactured to comply with state laws and local codes that mandate maximum allowable lead content levels. Zurn "XL" products are manufactured in accordance to the Federal SWDA section 1417.

OPTIONS (Check/specify appropriate options)

SUFFIXES

- _____ -AC Aluminum Casing Guard
- _____ -RK Hydrant Parts Repair Kit (HYD-RK-Z1395XL)
- _____ -VB 3/4 [19] Adapter Vacuum Breaker

* Regularly furnished unless otherwise specified.

** When ordering replacement cartridge assembly Specify Y dim.