



Z1370

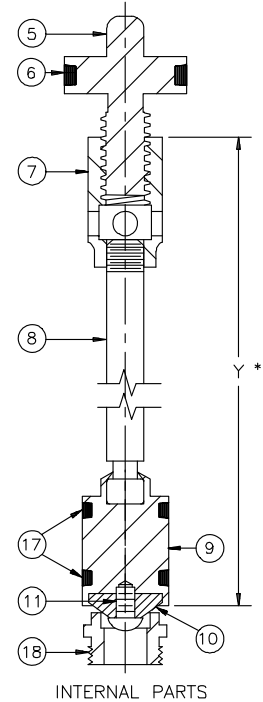
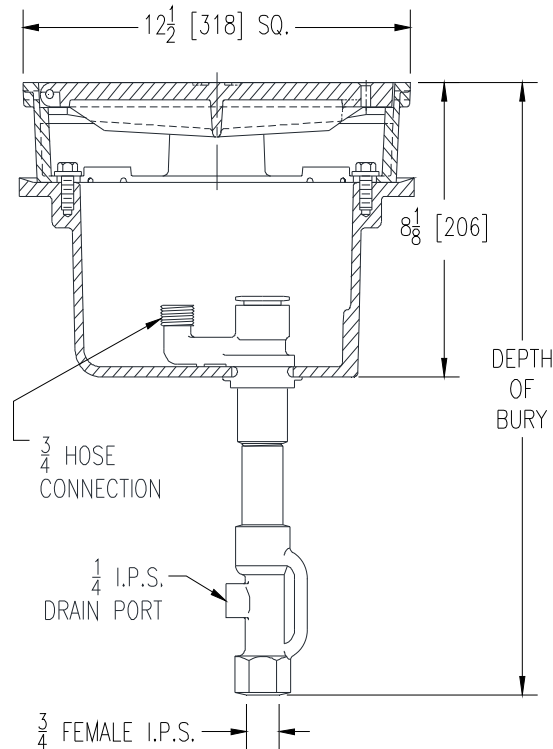
GROUNDHYDRANT

Encased, Hose Storage, Non-Freeze

SPECIFICATION SHEET

TAG _____

Dimensional Data (inches and [mm]) are Subject to Manufacturing Tolerances and Change Without Notice



Depth of Bury Feet[mm]	Approx. Wt. Lbs. [kg]
2 [610]	81 [37]
3 [914]	85 [39]
4 [1219]	89 [40]
5 [1524]	93 [42]
6 [1829]	97 [44]

ENGINEERING SPECIFICATION: ZURN Z1370

Encased, non-freeze ground hydrant, for flush with grade or finished floor installation. Complete with galvanized steel casing, all bronze interior parts, bronze seat and replaceable seat washer, and non-turning operating rod with free-floating compression closure valve. Dura-Coated Cast iron box provides hose storage and is complete with scoriated hinged cover with operating key lock. Hydrant is equipped with a tapped 1/4" NPT drain port in valve housing. (Hose should always be disconnected for storage.)

Note:

- IMPORTANT Hydrant must be opened one turn minimum to seal drain port during use.

CONNECTION TYPE:

_____ 3/4 Hose Connection

PARTS LIST

Item	Name	Quan.
5	Operating Screw	1
6	O-Ring	1
7	Operating Coupling	1
8	Operating Rod	1
9	Washer Guide	1
10	Washer (neoprene)	1
11	Screw	1
17	O-Ring	2
18	Removable Seat	1

OPTIONS (Check/specify appropriate options)

SUFFIXES

- _____ -BC Bronze Casing
- _____ -DP12 1/2 [13] IP Drain Port in Box
- _____ -NB Polished Nickel Bronze Face
(Add 3/16 [5] to 8-1/2 [216] Dim. and 3/4 [19] to 12-1/2 [311] Dim.)
- _____ -RK Hydrant Parts Repair Kit

* Regularly furnished unless otherwise specified.