

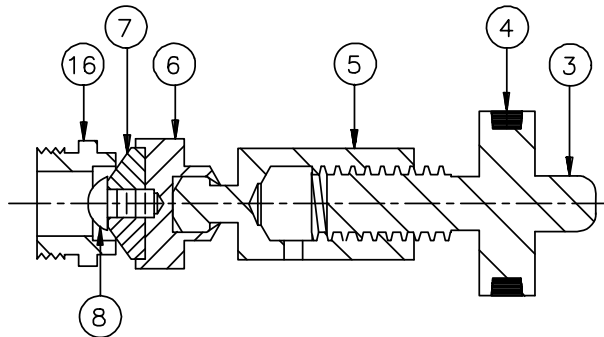
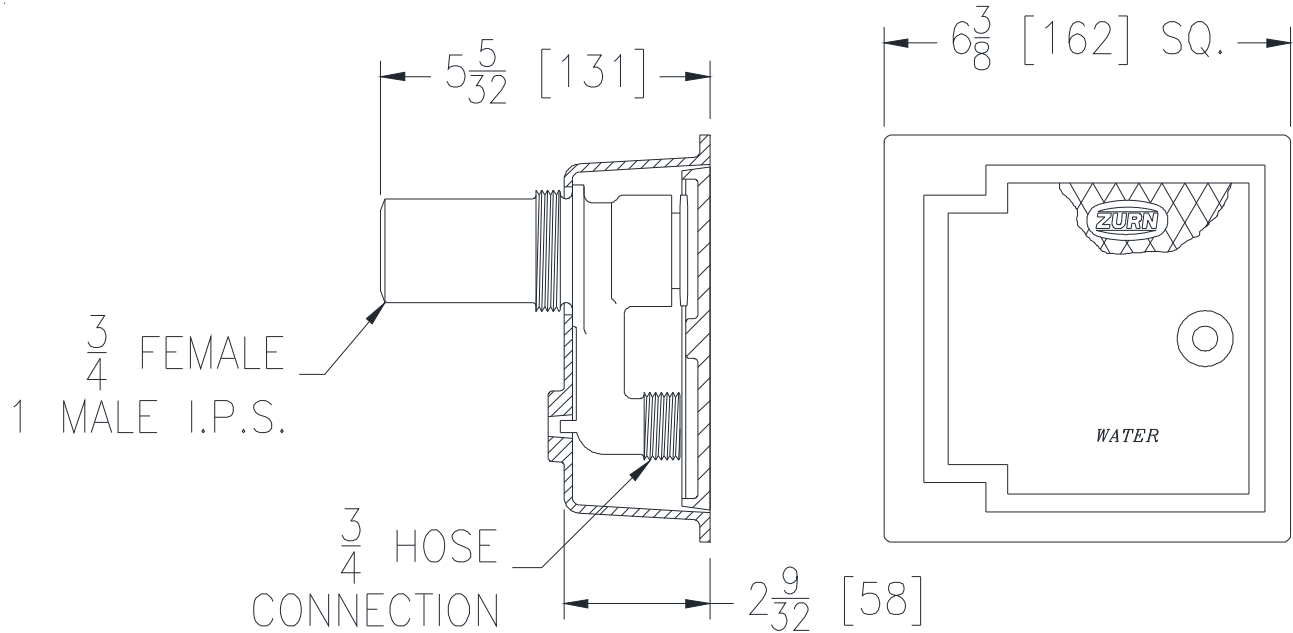


Z1335
WALL HYDRANT
Encased, Moderate Climate

SPECIFICATION SHEET

TAG _____

Dimensional Data (inches and [mm]) are Subject to Manufacturing Tolerances and Change Without Notice



INTERNAL PARTS

Wall Thickness In Inches [mm]	Approx. Wt. Lbs. [kg]
6 [152]	8 [4]

ENGINEERING SPECIFICATION: ZURN Z1335

Encased flush wall hydrant, for moderate climate and interior wall installation. Complete with all bronze interior parts, non-turning operating coupling with free-floating compression closure valve and replaceable bronze seat and seat washer, and 3/4" female IP inlet. Nickel bronze box and hinged cover with operating key lock and "WATER" cast on cover.

OPTIONS (Check/specify appropriate options)

SUFFIXES

- ___ -CI D.C.C.I. Box and Cover
- ___ -CL Cylinder Lock
- ___ -PB Polished Bronze Face
- ___ -RK Hydrant Parts Repair Kit
- ___ -34FS 3/4 [19] Solder Female Inlet Adapter
- ___ -34UN 3/4 [19] IP 90° Inlet Elbow w/Union Nut

PARTS LIST

Item	Name	Quan.
3	Operating Screw	1
4	O-Ring	1
5	Operating Coupling	1
6	Washer Guide	1
7	Washer	1
8	Screw	1
16	Removable Seat	1

* Regularly furnished unless otherwise specified.