



Z1327-EZ

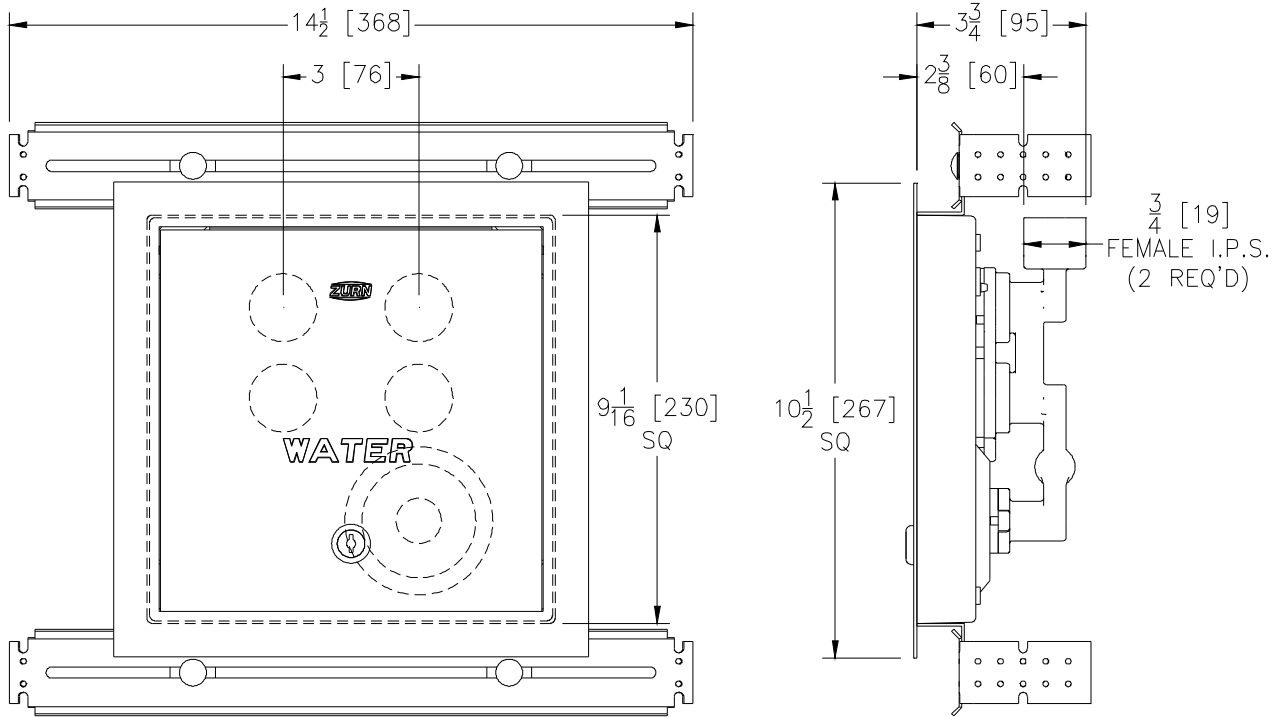
NARROW WALL HOT/COLD HYDRANT WITH MOUNTING BRACKETS

Encased, Moderate Climate

SPECIFICATION SHEET

TAG _____

Dimensional Data (inches and [mm]) are Subject to Manufacturing Tolerances and Change Without Notice



Wall Thickness Inches	Approx. Wt. Lbs. [kg]
3-1/2 [89]	11 [5]

ENGINEERING SPECIFICATION: ZURN Z1327-EZ Encased moderate climate hot/cold wall hydrant for narrow wall installation. Complete with bronze bodies, all brass interior parts, replaceable seat washers, screwdriver operated stop valves in supply, handle operated control valves, 3/4 [19] IP female inlets and 3/4 [19] male hose connection standard, stainless steel box and removable hinged cover with cylinder lock and "WATER" stamped on cover. Complete with mounting brackets and hardware for installation and horizontal adjustment inside a 16 [406] on center stud wall.

OPTIONS (Check/specify appropriate options)

SUFFIXES

- ___ -RK Hydrant Parts Repair Kit
- ___ -VB 3/4 [19] Adapter Vacuum Breaker
- ___ -24 Mounting Brackets (For 24 [610] on Center Stud Wall)



REV. B	DATE: 10/22/10	C.N. NO. 111939
DWG. NO. 82587	PRODUCT NO. Z1327-EZ	