



# Z1320XL-EZ

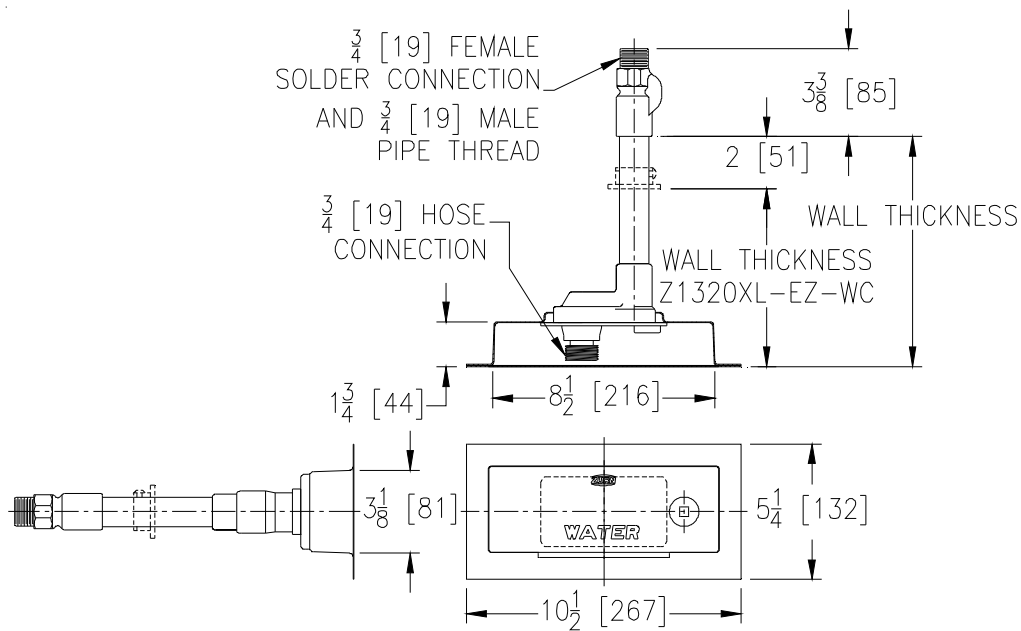
ECOLOtrol CERAMIC DISC  
WALL HYDRANT

Encased, Non-Freeze, Anti-Siphon, Automatic Draining

SPECIFICATION SHEET

TAG \_\_\_\_\_

Dimensional Data (inches and [mm]) are Subject to Manufacturing Tolerances and Change Without Notice



Wall Thickness in [mm]	Approx. Wt. lbs [kg]
6, 8 [152, 203]	5 [2]
10, 12, 14 [254, 305, 356]	6 [3]
16, 18 [406, 457]	7 [3]
20, 22, 24 [508, 559, 610]	8 [4]
26, 30 [660, 762]	10 [5]

### ENGINEERING SPECIFICATION: ZURN Z1320XL-EZ

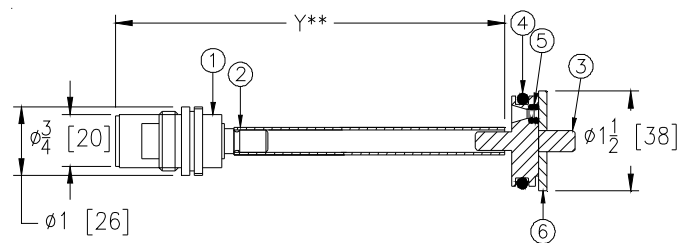
Encased, Ecolotrol™, lead-free, non-freeze automatic draining wall hydrant for flush installation. Hydrant features integral backflow preventer with anti-siphon technology, copper casing, all-bronze interior components with 1/2 turn long-life ceramic disc cartridge, combination 3/4" [19] female solder and 3/4" [19] male pipe thread inlet connection, and 3/4" [19] male hose connection. Hydrant furnished with type 304 stainless steel housing with locking hinged cover stamped "WATER" and includes operating key. Hydrant housing fits within one standard modular masonry course. Recommended wall opening: 3-3/16" [81] X 8-1/2" [216].

Zurn "XL" Lead-Free compliant products are a line of durable plumbing products designed and manufactured to comply with state laws and local codes that mandate maximum allowable lead content levels. Zurn "XL" products are manufactured in accordance to the Federal SWDA section 1417.

### OPTIONS (Check/specify appropriate options)

#### SUFFIXES

- \_\_\_ -CL Cylinder Lock
- \_\_\_ -RK Hydrant Parts Repair Kit (HYD-RK-Z1321XL/33XL)
- \_\_\_ -RT12 Ceramic Cartridge Removal Tool (Up to 12 [305] Wall)
- \_\_\_ -RT24 Ceramic Cartridge Removal Tool (Up to 24 [610] Wall)
- \_\_\_ -RT36 Ceramic Cartridge Removal Tool (Up to 36 [915] Wall)
- \_\_\_ -WC Wall Clamp
- \_\_\_ -34EL 3/4 [19] 90° Solder Inlet Elbow
- \_\_\_ -34FIP 3/4 [19] IP Straight Female Inlet Adapter



#### Internal Components

Item	Name	Quan.
1	Ceramic Cartridge	1
2	Operating Tube	1
3	Operating Coupling	1
4	O-Ring	1
5	O-Ring	1
6	Retaining Washer	1

\* Regularly furnished unless otherwise specified.

\*\* When ordering replacement cartridge assembly Specify Y dim.