



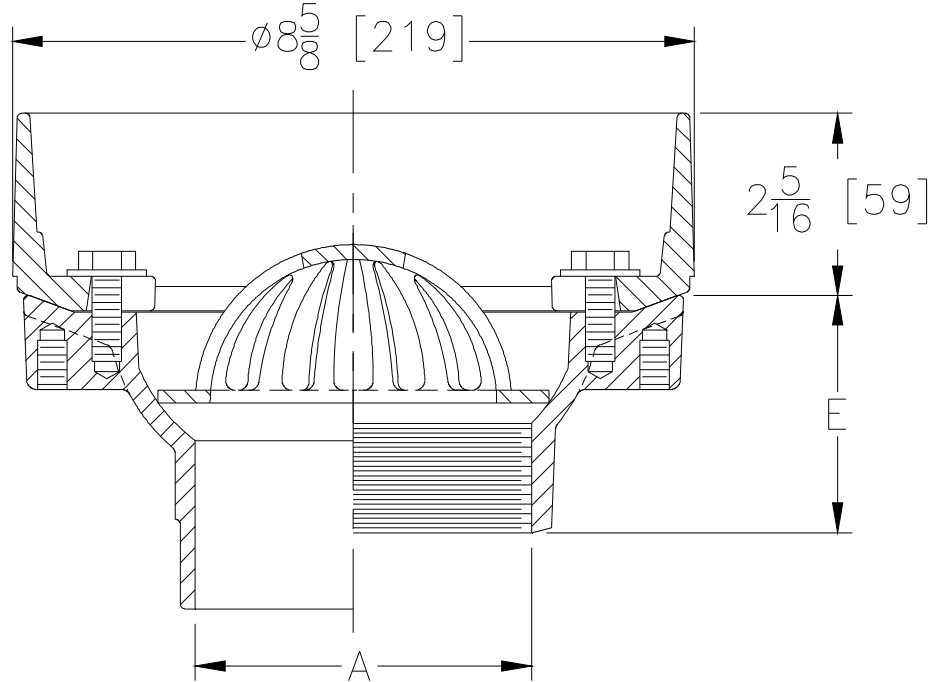
Z127

8-1/2 [216] DIAMETER DECK RECEPTOR DRAIN

SPECIFICATION SHEET

TAG _____

Dimensional Data (inches and [mm]) are Subject to Manufacturing Tolerances and Change Without Notice



A- Pipe Size In. [mm]	Approx. Wt. Lbs. [kg]
2, 3, 4 [51, 76, 102]	19 [9]

ENGINEERING SPECIFICATION: ZURN Z127

8-1/2" [216mm] Diameter deck receptor drain, Dura-Coated cast iron body with combination membrane flashing clamp/deck receptor frame and internal dome strainer.

OPTIONS (Check/specify appropriate options)

PIPE SIZE	(Specify size/type) OUTLET	'E' BODY HT. DIM.
2, 3, 4 [51, 76, 102]	___ IC Inside Caulk	3-7/8 [98]
2 [51]	___ IP Threaded	2-7/16 [62]
3 [76]	___ IP Threaded	2-3/4 [70]
4 [102]	___ IP Threaded	3 [76]
2, 3, 4 [51, 76, 102]	___ NH No-Hub	3-31/32 [101]
2, 3, 4 [51, 76, 102]	___ NL Neo-Loc	3-27/32 [98]

PREFIXES

___ Z D.C.C.I. Body with Collar*

SUFFIXES

- ___ -AR Acid Resistant Epoxy Coated Finish
- ___ -C Underdeck Clamp
- ___ -DP Top-Set® Roof Deck Plate (Replaces both the -C and -R)
- ___ -E 2 [51] High Static Extension (Specify Ht.)
- ___ -EB Top-Set® Adjustable Extension Assembly
- ___ -G Galvanized Cast Iron
- ___ -HD High Dome
- ___ -R Roof Sump Receiver
- ___ -TC Neo-Loc Test Cap Gasket (2, 3, 4 [51, 76, 102] NL Bottom Outlet Only)

* Regularly furnished unless otherwise specified.