



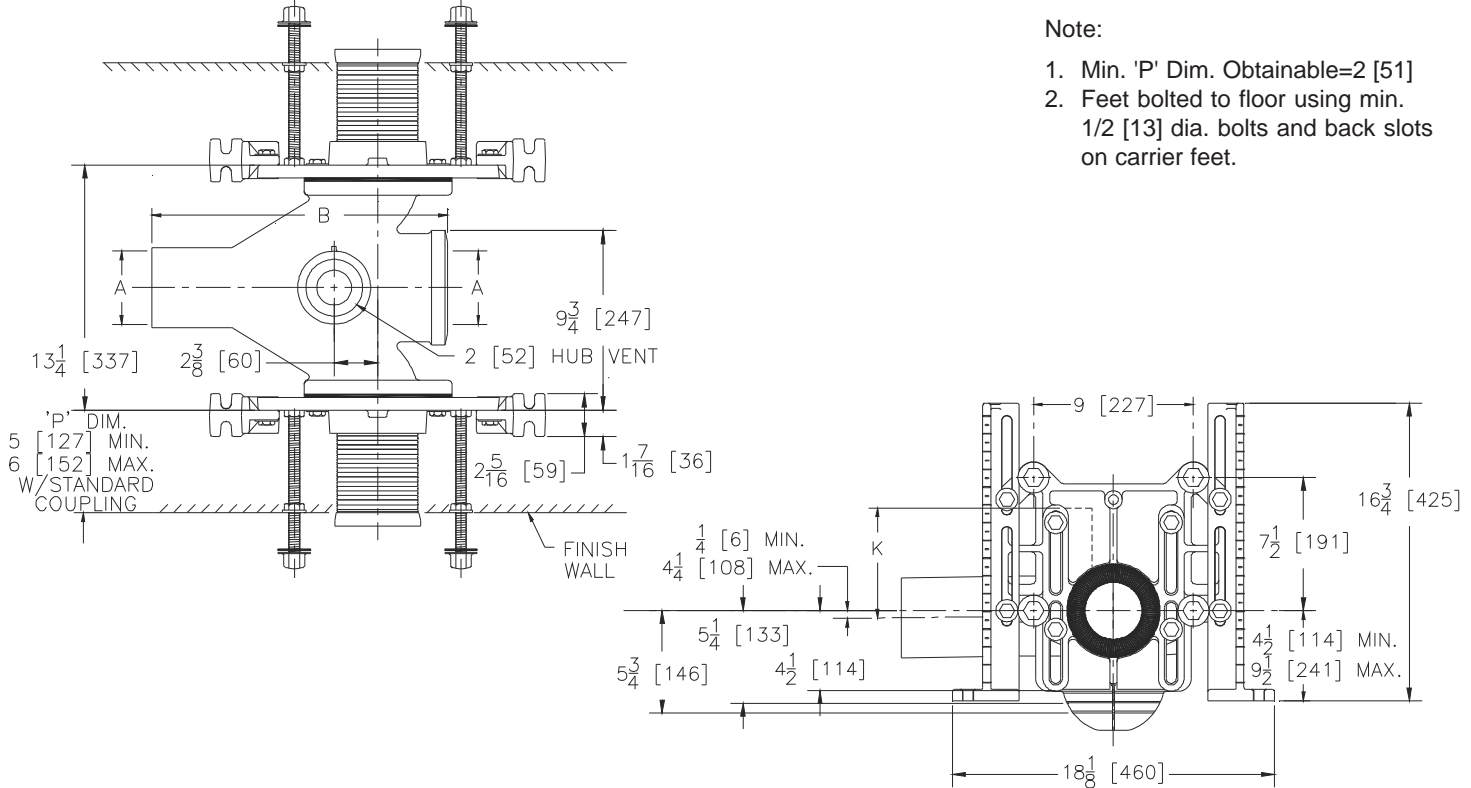
Z1203-HD

ADJUSTABLE HORIZONTAL BACK TO BACK SIPHON JET HUB & SPIGOT

SPECIFICATION SHEET

TAG _____

Dimensional Data (inches and [mm]) are Subject to Manufacturing Tolerances and Change Without Notice



Note:

1. Min. 'P' Dim. Obtainable=2 [51]
2. Feet bolted to floor using min. 1/2 [13] dia. bolts and back slots on carrier feet.

Product No.	Dimensions In Inches [mm]			Approx. Wt. Lbs. [kg.]
	A	B	K	
Z1203-HD4	4 [102]	16 [406]	6-1/8 [156]	125 [57]
Z1203-HD5	5 [127]	16 [406]	6-5/8 [168]	130 [59]

ENGINEERING SPECIFICATION: ZURN Z1203-HD()

Adjustable, horizontal siphon jet water closet "Rigid System" with 4" [102mm] or 5" [127mm] Hub & Spigot connections. Complete with Dura-Coated cast iron right hand or left hand main fitting, with 2" [51mm] vent, adjustable gasketed face plate, universal floor mounted foot supports, corrosion resistant adjustable polymer coupling with integral test cap, fixture bolts, trim, stud protectors, and bonded "Neo-Seal" gasket.

PRODUCT/DEFINITION

- _____ **Z1203-HD4** 4 [102] Caulk, Back to Back Inlet (Double)
- _____ **Z1203-HD5** 5 [127] Caulk, Back to Back Inlet (Double)

PREFIXES

- _____ **Z** D.C.C.I. System with Zurn "ZZ" Adjustable Coupling*
- _____ **ZQ** D.C.C.I. System with Non-Adjustable Coupling

SUFFIXES

- _____ **-A** Auxiliary Support Assembly (For "P" Dim. Greater than 18 [457])
- _____ **-B** Blowout Type Fixture Support
- _____ **-BC** Back Cleanout
- _____ **-CC** Cast Iron Coupling (6 [152] - 12 [305])
- _____ **-CL** Coupling Length Greater Than Standard 12 [305] (Specify Length Required)
- _____ **-F** Floor Mounted Back Outlet, Fixture Support
- _____ **-G** Galvanized Cast Iron
- _____ **-M** Auxiliary Foot Support (For P-Dim. 10 [254] - 18 [457])
- _____ **-PF** Pre-Fab Foot
- _____ **-PS** Pre-Fab Slotted Foot
- _____ **-RYK** Unistrut Pre-Fab Foot
- _____ **-T** Threaded Stack Connection (Available on Restricted Basis Only)
- _____ **-VP** Vandal Proof Trim
- _____ **-X3** 3 [76] Carrier Foot Extension
- _____ **-X4** 4 [102] Carrier Foot Extension
- _____ **-45** Finishing Frame for Siphon Jet Closet (For Blowout System Specify -45-B)
- _____ **-50** Flush Valve Supply Support for Water Closets

* Regularly furnished unless otherwise specified.