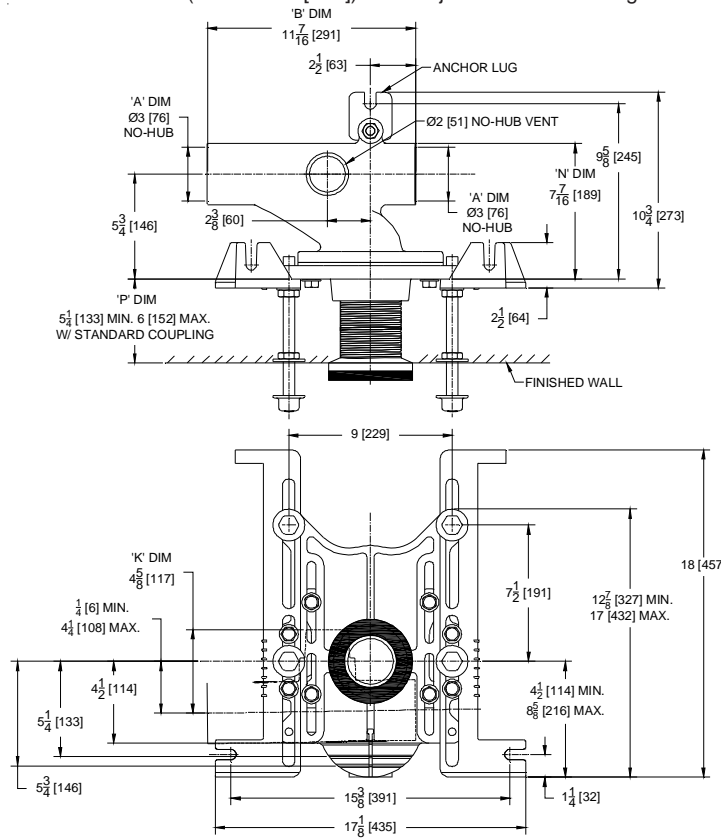




Z1201-N_3

EZCARRY® ADJUSTABLE HORIZONTAL HIGH PERFORMANCE TAG SIPHONJET NO-HUB WATER CLOSET CARRIER SYSTEM

Dimensional Data (inches and [mm]) are Subject to Manufacturing Tolerances and Change Without Notice



Product Number	Approx. Wt. lbs [kg]
Z1201-NL3	55 [25]
Z1201-NR3	

Note:

- Z coupling, Min. 'P' Dim. Obtainable=2 [51].
ZQ coupling, Min. 'P' Dim. Obtainable=5 [127].
EZ-Set™ Coupling, Min. 'P' Dim. Obtainable=4-1/4 [108] or 2-1/16 [52] for 12 [305] NPT.
- Feet bolted to floor using min. 1/2 [13] dia. anchors.
- Rear anchor foot required for secure installation.

Z1201-NR3 Illustrated

ENGINEERING SPECIFICATION: ZURN Z1201-N_3

EZCarry® horizontal siphon jet water closet carrier system with high performance waterway and 3" [76mm] no-hub connections. System includes Dura-Coated cast iron main fitting with hydro-mechanically optimized sweep and extended 2" [51mm] vent, adjustable gasketed faceplate, floor mounted pre-fab slotted foot supports with top anchoring pre-fab support base, heavy-duty 1/2" [13mm] rear anchor tie down, fixture bolts, trim, stud protectors, bonded "Neo-Seal" gasket, and corrosion resistant, adjustable 3" [76mm] dia. X 6" [152mm] coupling with integral test cap designed to increase flow velocity and line carry. EZCarry® system complies with the requirements of ASME A112.6.1M up to a 500 lbs [227 kg] static load rating.

OPTIONS (Check/specify appropriate options)

- Z1201-NL3 3 [76] No-Hub Left Hand Inlet with Flow to Right
- Z1201-NR3 3 [76] No-Hub Right Hand Inlet with Flow to Left

PREFIXES

- Z D.C.C.I. System with Zurn ZZ Adjustable Coupling*
- ZQ D.C.C.I. System with NPT Faceplate, Non-Adjustable Coupling

SUFFIXES

- | | |
|--|---|
| <input type="checkbox"/> -A Auxiliary Support Assembly (For 'P' Dim. Greater than 18 [457]) | <input type="checkbox"/> -F Floor Mounted, Back Outlet Fixture Support |
| <input type="checkbox"/> -CC Corrosion Resistant Cast Iron Coupling (2-1/4 [57] to 12 [305]) | <input type="checkbox"/> -G Galvanized Cast Iron Auxiliary Foot Support (for 'P' Dim. 7 thru 18 [178 thru 457]) |
| <input type="checkbox"/> -CE EZ-Set™ Coupling (NPSM 6 [152], 12 [305] or custom) (NPT 12 [305] or custom) | <input type="checkbox"/> -M One Piece Unistrut Pre-Fab Foot Vandal-Proof Trim |
| <input type="checkbox"/> -CL Custom Length Standard Coupling with Integral Test Cap (Specify Length 4, 8, 10, 12 [102, 203, 254, 305]) | <input type="checkbox"/> -RYK17 2 [51] Carrier Foot Extension Assembly |
| <input type="checkbox"/> -CS 2-1/4 [57] Polymer Coupling with Integral Test Cap | <input type="checkbox"/> -VP 3 [76] Carrier Foot Extension Assembly |
| | <input type="checkbox"/> -45 Finishing Frame for Siphon Jet System |
| | <input type="checkbox"/> -50 Flush Valve Supply Support for Water Closets |

* Regularly furnished unless otherwise specified.