



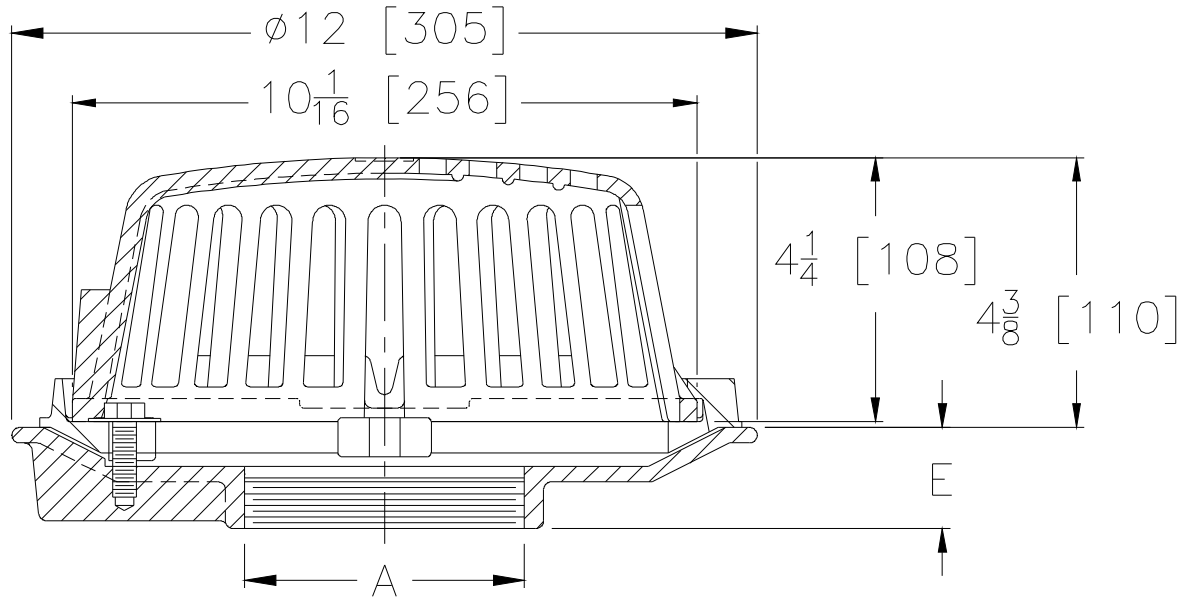
# Z111

## 12 [305] DIAMETER FLAT DECK ROOF DRAIN FOR METAL DECKS

SPECIFICATION SHEET

TAG \_\_\_\_\_

Dimensional Data (inches and [ mm ]) are Subject to Manufacturing Tolerances and Change Without Notice



A- Pipe Size In. [mm]	Approx. Wt. Lbs. [kg]	Dome Open Area Sq. In. [cm <sup>2</sup> ]
3, 4 [76, 102]	22 [10]	78 [503]
6 [152]	24 [11]	

**ENGINEERING SPECIFICATION: ZURN Z111**  
 12" [305mm] Diameter Flat Deck roof drain for metal decks, Dura-Coated cast iron body with combination membrane flashing clamp/gravel guard and low silhouette cast iron dome.

**OPTIONS** (Check/specify appropriate options)

PIPE SIZE	(Specify size/type)	OUTLET	E BODY HT. DIM.
3, 4 [76, 102]	_____	IP Threaded	1-5/8 [41]
6 [152]	_____	IP Threaded	1-7/8 [48]

**PREFIXES**

\_\_\_ Z D.C.C.I. Body with Dome (4-1/4 [108] Dome height)\*

**SUFFIXES**

- \_\_\_ -C Underdeck Clamp
- \_\_\_ -FG Flush Grate (Z Only)
- \_\_\_ -G Galvanized Cast Iron
- \_\_\_ -R Roof Sump Receiver
- \_\_\_ -SS Stainless Steel Mesh Screen Over Dome
- \_\_\_ -VP Vandal Proof Secured Top

\* Regularly furnished unless otherwise specified.