

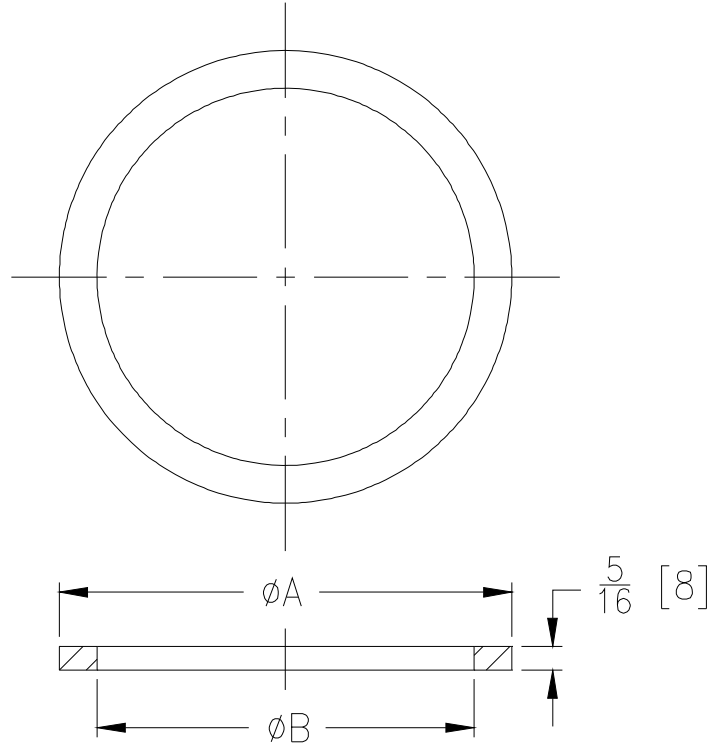


Z1032 INSIDE CAULK REDUCER

SPECIFICATION SHEET

TAG _____

Dimensional Data (inches and [mm]) are Subject to Manufacturing Tolerances and Change Without Notice



Dimensions In Inches		Approx. Wt. Lbs. [kg]
A - Pipe Size In.	B	
3 [75]	2 [50]	1 [.5]
4 [100]		
4 [100]	3 [75]	1.5 [1]
6 [150]	4 [100]	
6 [150]	5 [125]	

ENGINEERING SPECIFICATION: ZURN Z1032 Inside caulk Dura-Coated cast iron reducing ring.

REV. D	DATE: 10/29/10	C.N. NO. 120189
DWG. NO. 58894	PRODUCT NO. Z1032	

*REGULARLY FURNISHED UNLESS OTHERWISE SPECIFIED