

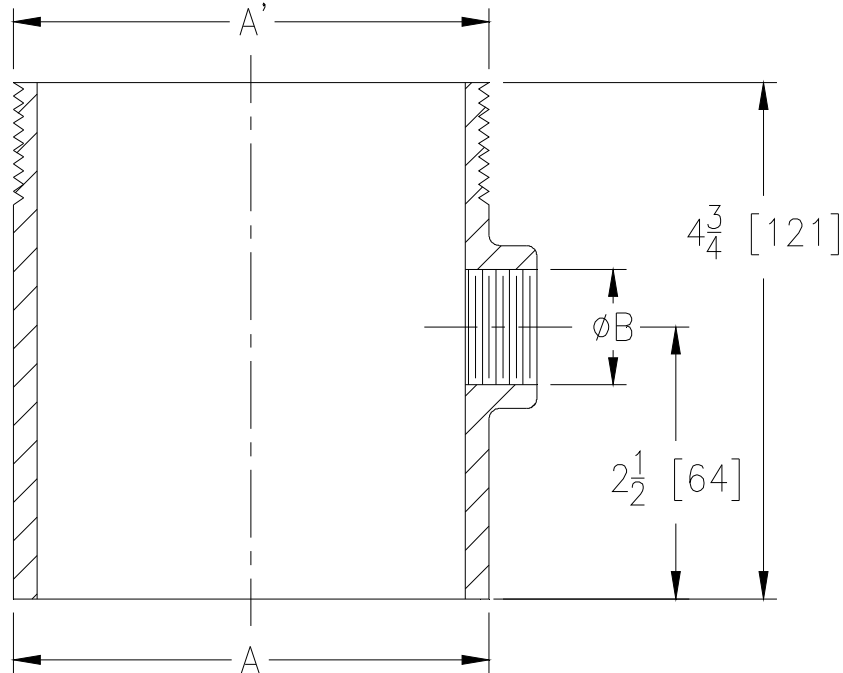
**Z1023**

TRAP PRIMER CONNECTION ADAPTER

SPECIFICATION SHEET

TAG \_\_\_\_\_

Dimensional Data (inches and [ mm ]) are Subject to Manufacturing Tolerances and Change Without Notice



Dimensions In Inches[mm]		Approx. Wt. Lbs. [kg]
Pipe Size		
A' x A NH x NH or NPT x NH	B	
2 x 2 [51 x 51]	1/2[13]	2 [1]
3 x 3 [76 x 76]	1/2[13]	4 [2]
4 x 4 [102 x 102]	1/2[13]	6 [3]

**ENGINEERING SPECIFICATION: ZURN Z1023**

Trap Primer Connection, Dura-Coated cast iron body with 1/2" [13mm] female thread side inlet trap primer connection.

**CONNECTIONS** (Check/specify appropriate options)**PIPE SIZE**

2, 3, 4 [51, 76, 102]

2, 3, 4 [51, 76, 102]

(Specify size/type) **CONNECTION**

\_\_\_\_ NH X NH No-Hub x No-Hub

\_\_\_\_ IP X NH Threaded x No-Hub

**PREFIXES**

\_\_\_\_ Z D.C.C.I. Body\*

**SUFFIXES**

\_\_\_\_ -G Galvanized Cast Iron

\* Regularly furnished unless otherwise specified.