



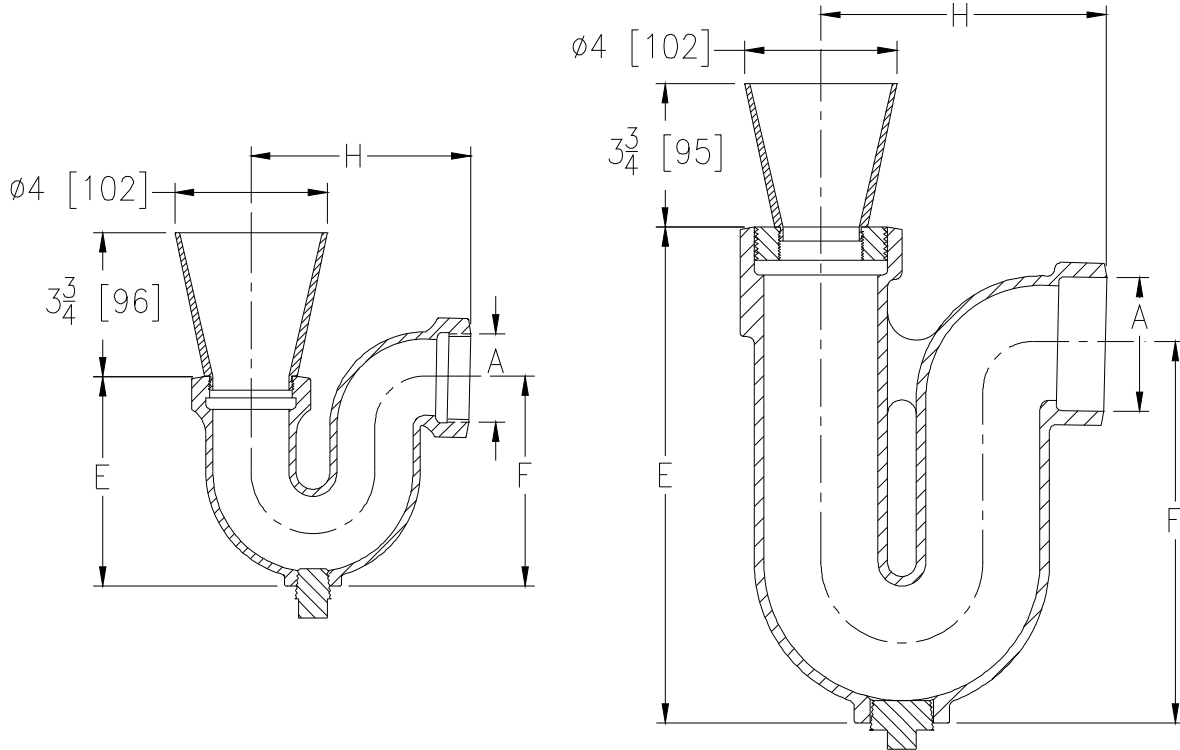
# Z1019

## FUNNEL DRAIN WITH "P" TRAP

SPECIFICATION SHEET

TAG \_\_\_\_\_

Dimensional Data (inches and [ mm ]) are Subject to Manufacturing Tolerances and Change Without Notice



Dimensions In Inches				Approx. Wt. Lbs. [kg]
A Pipe Size	E	F	H	
2 [50]	4-1/4 [108]	5-1/2 [140]	5-3/4 [146]	10 [5]
3 [75]	13 [330]	10 [254]	7-1/2 [190]	19 [9]

**ENGINEERING SPECIFICATION:** ZURN Z1019 Dura-Coated cast iron combination funnel and trap drain, complete with bronze bottom cleanout plug.

**CONNECTIONS** (Check/specify appropriate options)

**PIPE SIZE** \_\_\_\_\_ (Specify size) **CONNECTION** \_\_\_\_\_

2-3 [50-75] \_\_\_\_\_ IP Threaded

**PREFIXES**

- \_\_\_\_\_ Z D.C.C.I. Body and Top\*
- \_\_\_\_\_ ZAB Bronze Body with Polished Bronze Top
- \_\_\_\_\_ ZABN Bronze Body with Polished Nickel Bronze Top

**SUFFIXES**

- \_\_\_\_\_ -AR Acid Resisting Epoxy Coated Finish
- \_\_\_\_\_ -DS Dome Strainer
- \_\_\_\_\_ -F6 6 [152] High x 6 [152] Diameter Funnel
- \_\_\_\_\_ -G Galvanized Cast Iron

<b>REV. D</b>	<b>DATE: 10/29/10</b>	<b>C.N. NO. 120180</b>
<b>DWG. NO. 58888</b>	<b>PRODUCT NO. Z1019</b>	

\*REGULARLY FURNISHED UNLESS OTHERWISE SPECIFIED