



# QTP Plastic Quick Test Fittings

### Application

Designed for use on Backflow Prevention Assemblies to facilitate the connection of a Differential Pressure Test Gauge. Quick Test Fittings, with their integral o-ring and hand-tight installation, eliminate the need for wrenches and Teflon tape. This will result in a time and material savings to the tester.

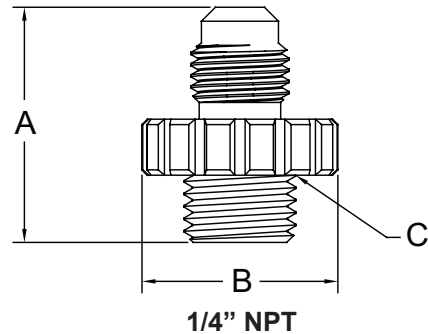
### Materials

Body (fittings)                      Glass Filled Polypropylene  
O-rings                                Buna Nitrile

### Features

Sizes: 1/4"

Tear Resistant O-rings  
SAE 45° Flare Fittings - SAE J513  
Sold in convenient 3-pack



### Dimensions & Weights (do not include pkg.)

MODEL	FITTING SIZES	FOR VALVE SIZE	DIMENSIONS (approximate)					WEIGHT	
			A		B		C (O-ring)	lbs.	kg
			in.	mm	in.	mm			
RK14-QTP	1/4" NPT X 1/4" Flare	1/4"-2"	1 3/64	27	7/8	22	112N	0.1	0.05

### TYPICAL INSTALLATIONS

#### MODEL 3/4" 975XL SHOWN

