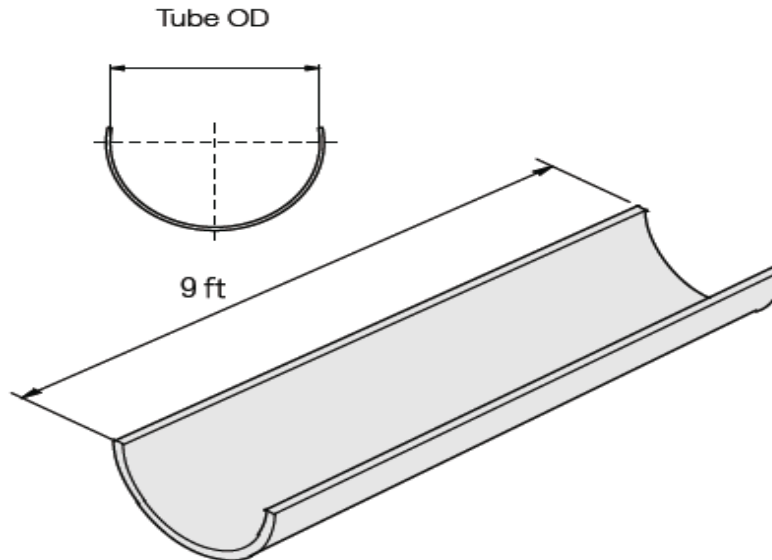




Zurn PEX Pipe Support QMST_X

Specification Sheet Tag

Dimensional Data: Inches and [mm] are subject to manufacturing tolerances and change without notice.



Product No.	Description	Category
QMST5X	1" Pipe Track Support for Plastic Pipe	9
QMST6X	1-1/4" Pipe Track Support for Plastic Pipe	9
QMST7X	1-1/2" Pipe Track Support for Plastic Pipe	9
QMST8X	2" Pipe Track Support for Plastic Pipe	9

Engineering Specification:

Zurn PEX Pipe Support Track is a pre-galvanized steel channel support system for Zurn PEX tubing in suspended piping applications, enabling hanger spacing equal to that of copper. Zurn PEX Pipe Track is available in 9 – foot lengths for 1", 1 ¼", 1 ½", and 2" Zurn PEX straight length tube sizes. Pipe Support Track can be used in hydronic distribution systems and commercial hot and cold plumbing systems.

Accessories:

Q5PS20X	1" Zurn PEX Non-Barrier H/C Tubing White 20' Straight Lengths
Q5PS20XRed	1" Zurn PEX Non-Barrier H/C Tubing Red 20' Straight Lengths
Q5PS20XBlue	1" Zurn PEX Non-Barrier H/C Tubing Blue 20' Straight Lengths
Q6PS20X	1 ¼" Zurn PEX Non-Barrier H/C Tubing White 20' Straight Lengths
Q7PS20X	1 ½" Zurn PEX Non-Barrier H/C Tubing White 20' Straight Lengths
Q8PS20X	2" Zurn PEX Non-Barrier H/C Tubing White 20' Straight Lengths

Zurn Industries, LLC | Zurn PEX, Inc

116 Maple Street, Commerce, TX U.S.A. 75429 · Ph. 800-872-7277, Fax 800-209-2148

June 2014

In Canada | Zurn Industries Limited

3544 Nashua Drive, Mississauga, Ontario L4V 1L2 · Ph. 905-405-8272, Fax 905-405-1292

www.zurn.com