

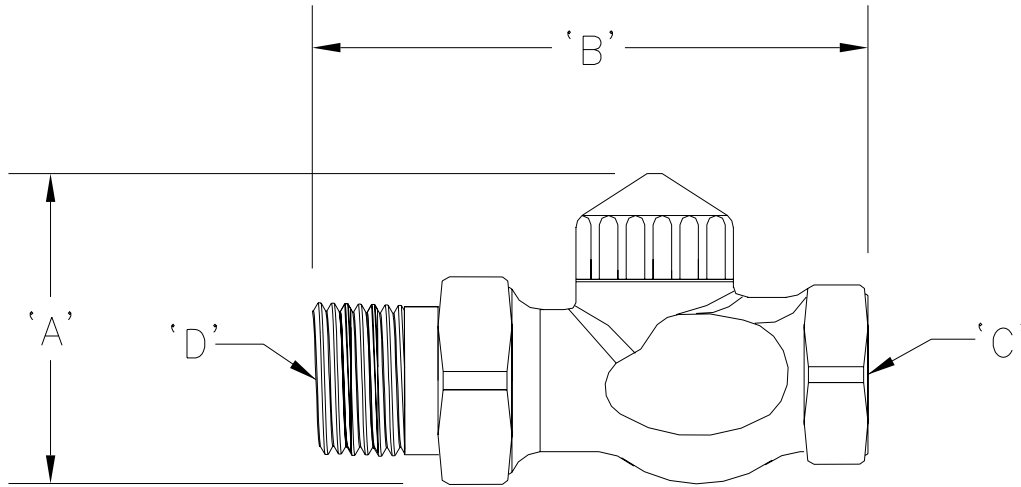


Straight Zone Valves - QHSZV__

Specification Sheet

Tag _____

Dimensional Data: Inches and [mm] are subject to manufacturing tolerances and change without notice.



Part Number	'A'	'B'	'C'	'D'	Cv Rating
QHSZV33	1.98" [50.3]	3.55" [90.1]	1/2" Female NPT	1/2" Male NPT	3.00
QHSZV44	2.29" [28.2]	4.21" [107.0]	3/4" Female NPT	3/4" Male NPT	4.32
QHSZV55	2.66" [67.6]	4.73" [120.1]	1" Female NPT	1" Male NPT	5.04
QHSZV66	2.84" [72.1]	5.24" [133.1]	1-1/4" Female NPT	1-1/4" Male NPT	6.96

Engineering Specification: Zurn Straight Zone Valves. Straight zone valves allows on/off control for miscellaneous supplemental heating equipment including radiant panel, manifolds, baseboards, and fan coils etc.

Accessories

- ___ **QHVZDM** Thermostatic Zone Valve Actuator
- ___ **QHVZDMS** Thermostatic Zone Valve Actuator w/ End Switch
- ___ **QHSD** DDC Thermostatic Zone Valve Actuator
- ___ **QHBMO** 4-Wire Zone Valve Motor

Rev.	Date: 6/02/08	C.N. No. 98582
DWG. No. 87390		Prod. No. QHSZV__