

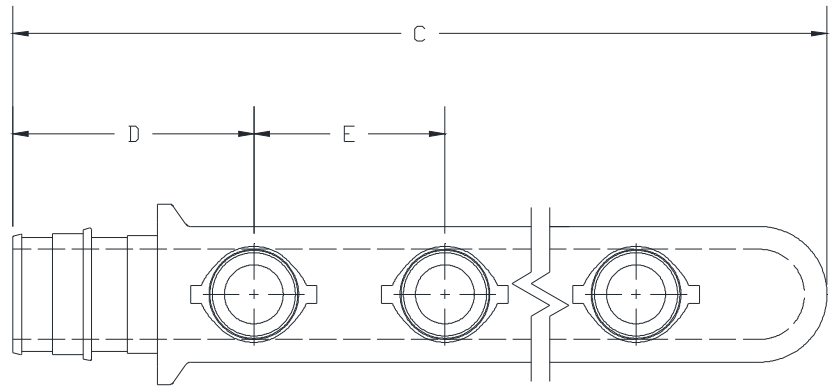
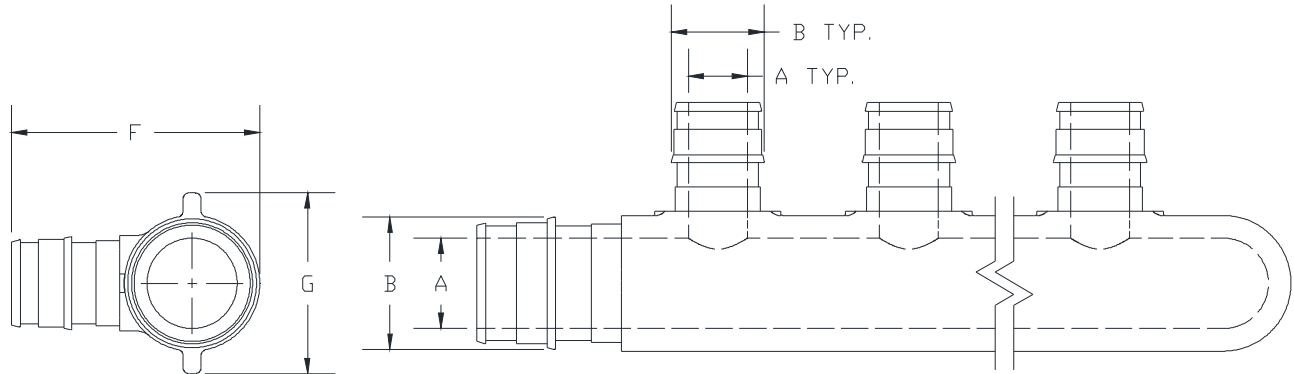


QEPMC_
F1960 EXPANSION CR MULTIPOST TEE - EX PEX
MAIN x CLOSED WITH EX PEX OUTLETS

SPECIFICATION SHEET

TAG _____

Dimensional Data (inches and [mm]) are Subject to Manufacturing Tolerances and Change Without Notice



TYPICAL CONNECTION SIZE		
Tee Port Size	A	B
	in [mm]	in [mm]
1/2" EX PEX	0.39 [10]	0.61 [16]
3/4" EX PEX	0.59 [15]	0.87 [22]
1" EX PEX	0.79 [20]	1.11 [28]
1-1/4" EX PEX	0.97 [25]	1.36 [34]

Part Number	CR Expansion Multiport Tee Size EX PEX Mains x EX PEX Outlets	Dimensions in Inches [mm]				
		C	D	E	F	G
QEPMC43-3	Mains 3/4" x Closed, (3) 1/2" Outlets	5.16 [131]	1.58 [40]	1.25 [32] TYP.	1.62 [41]	1.18 [30]
QEPMC43-4	Mains 3/4" x Closed, (4) 1/2" Outlets	6.41 [163]	1.58 [40]	1.25 [32] TYP.	1.62 [41]	1.18 [30]
QEPMC43-6	Mains 3/4" x Closed, (6) 1/2" Outlets	8.90 [226]	1.58 [40]	1.25 [32] TYP.	1.62 [41]	1.18 [30]
QEPMC53-4	Mains 1" x Closed, (4) 1/2" Outlets	6.92 [176]	1.81 [46]	1.25 [32] TYP.	1.84 [47]	1.50 [38]
QEPMC53-6	Mains 1" x Closed, (6) 1/2" Outlets	9.42 [239]	1.81 [46]	1.25 [32] TYP.	1.84 [47]	1.50 [38]
QEPMC64-3	Mains 1-1/4" x Closed, (3) 3/4" Outlets	7.42 [188]	2.34 [60]	1.75 [44] TYP.	2.29 [58]	1.69 [43]

Engineering Specification: Zurn PEX® CR Polymer F1960 Expansion Multiport Tee.

The QEPMC_ is used with Zurn Non-Barrier PEX tubing in potable water applications. Molded from PPSU, these fittings, as a system with Zurn PEX® tube and Zurn PEX reinforcing rings are pressure rated at 160 PSI at 73°F, 100 PSI at 180°F, and 80 PSI at 200°F. These fittings are 3rd Party certified as complying with the following standards: NSF/ANSI Standard 14, NSF/ANSI Standard 61, NSF/ANSI Standard 372 (Low Lead), ASTM F1960, CSA B137.5.

Accessories

- ___ QER3X 1/2" PEX Expansion Reinforcing Ring w/Stop
- ___ QER4X 3/4" PEX Expansion Reinforcing Ring w/Stop
- ___ QER5X 1" PEX Expansion Reinforcing Ring w/Stop
- ___ QER6X 1-1/4" PEX Expansion Reinforcing Ring w/Stop
- ___ QEMT345 F1960 Manual Expansion Tool Kit - 1/2" to 1"