

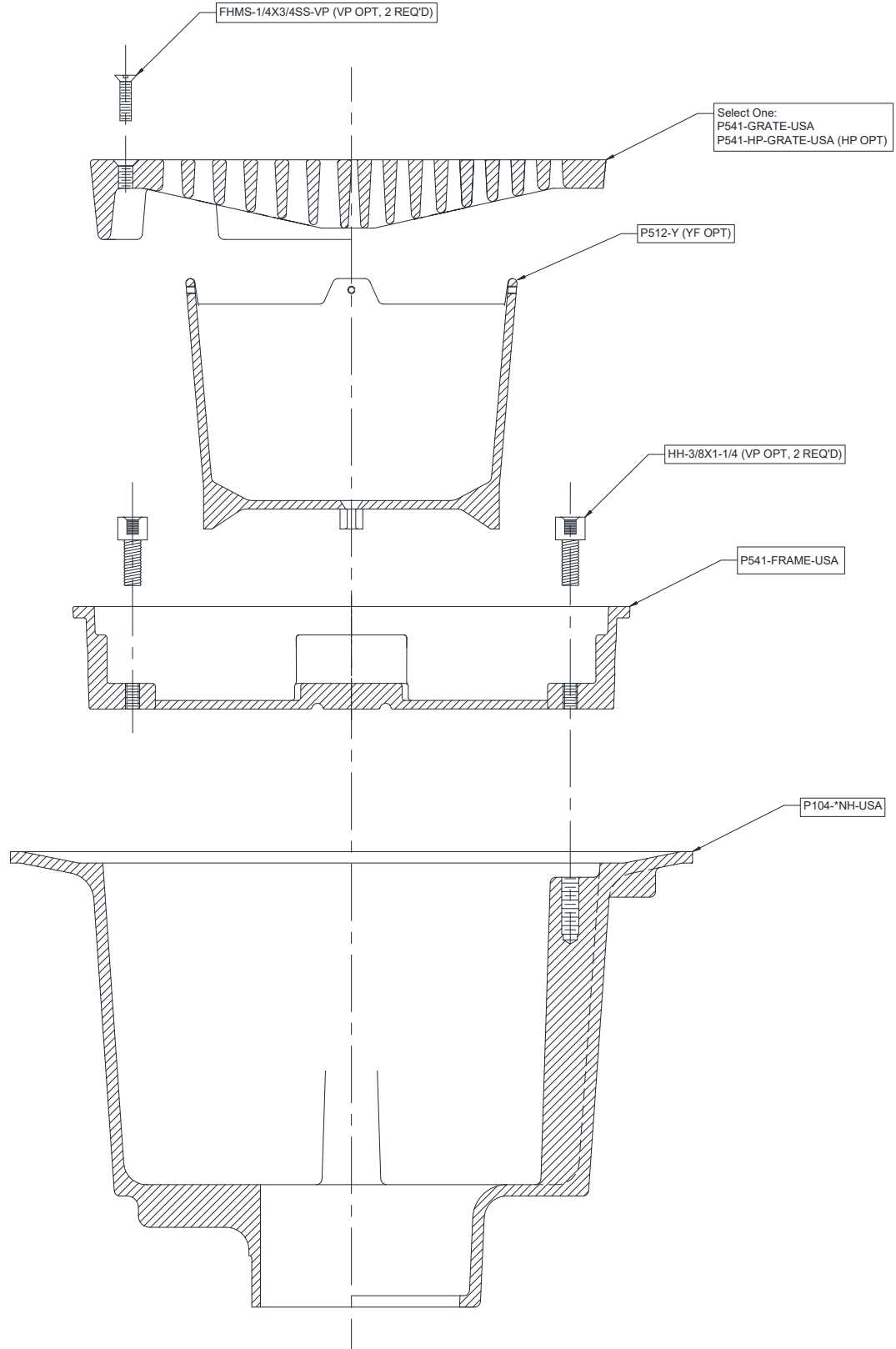


COMMON COMPONENTS

Z539-HP-VP-YF

12 [305] HEAVY-DUTY DRAIN W/ DEEP SUMP W/ HEEL-PROOF GRATE, VANDAL-PROOF SECURED TOP AND FREE STANDING SEDIMENT BUCKET

Dimensional Data (inches and [mm]) are Subject to Manufacturing Tolerances and Change Without Notice



* Customer to Specify Size

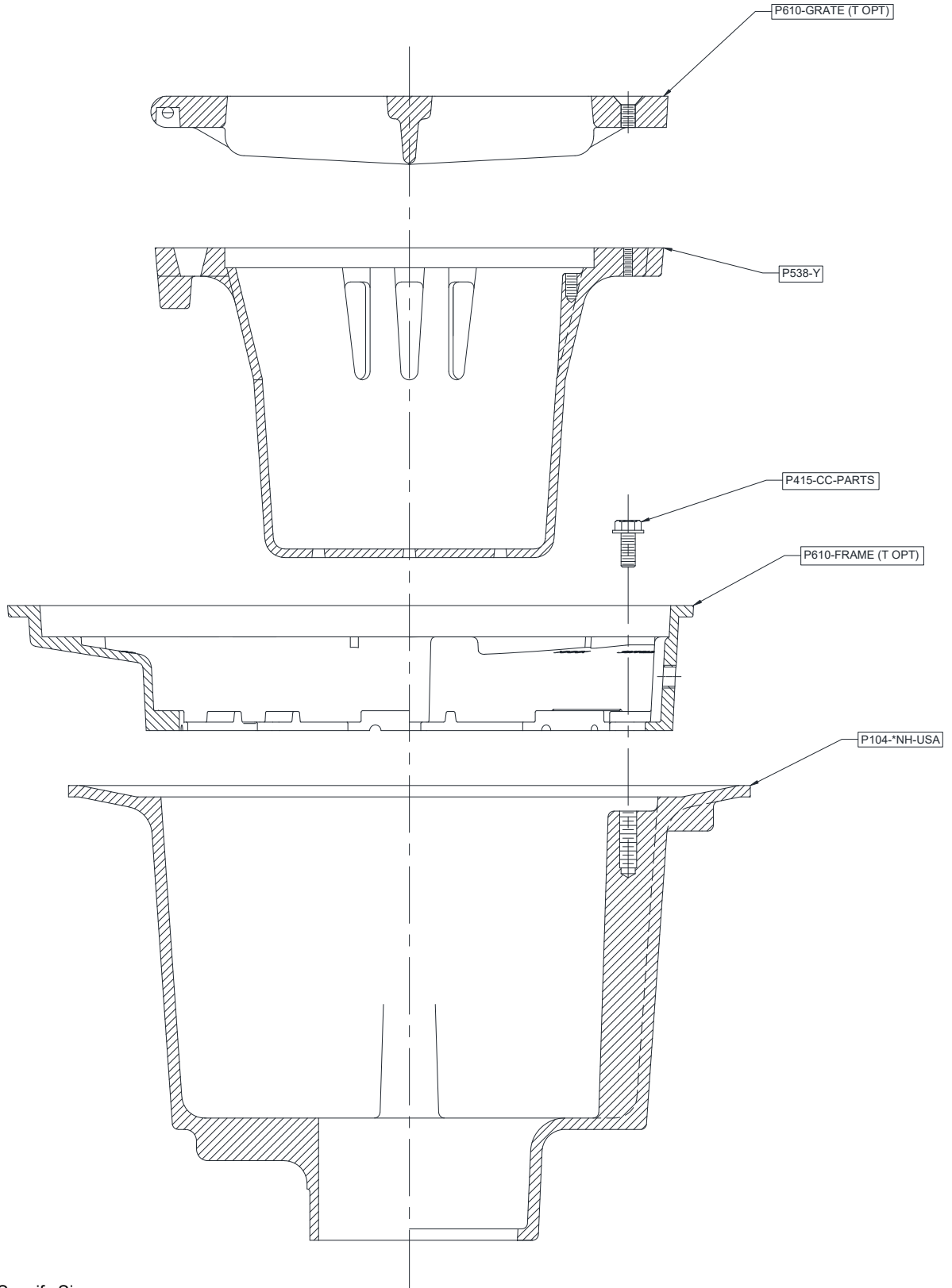


COMMON COMPONENTS

Z539-T

12 [305] HEAVY-DUTY DRAIN W/ DEEP SUMP W/ SQUARE TOP

Dimensional Data (inches and [mm]) are Subject to Manufacturing Tolerances and Change Without Notice



* Customer to Specify Size

Zurn Industries, LLC | Specification Drainage Operation
1801 Pittsburgh Avenue, Erie, PA U.S.A. 16502 · Ph. 855-663-9876, Fax 814-454-7929
In Canada | **Zurn Industries Limited**
3544 Nashua Drive, Mississauga, Ontario L4V 1L2 · Ph. 905-405-8272, Fax 905-405-1292
www.zurn.com

Rev. A
Date: 10/01/2018
C.N. No. 140663
Prod. | Dwg. No. FD120

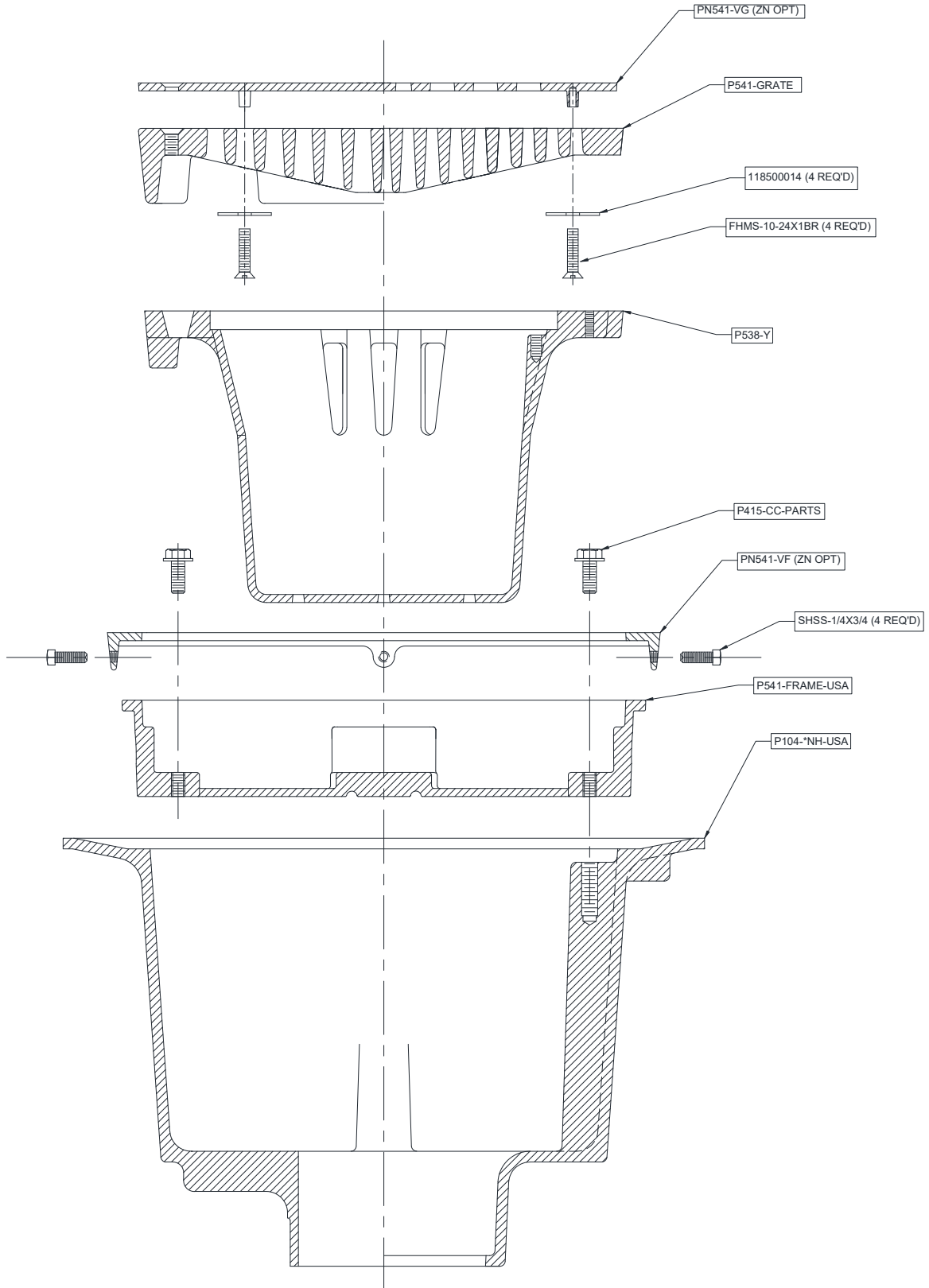
COMMON COMPONENTS



ZN539

12 [305] HEAVY-DUTY DRAIN W/ DEEP SUMP W/ NICKEL BRONZE TOP

Dimensional Data (inches and [mm]) are Subject to Manufacturing Tolerances and Change Without Notice



* Customer to Specify Size

Zurn Industries, LLC | Specification Drainage Operation
1801 Pittsburgh Avenue, Erie, PA U.S.A. 16502 · Ph. 855-663-9876, Fax 814-454-7929
In Canada | Zurn Industries Limited
3544 Nashua Drive, Mississauga, Ontario L4V 1L2 · Ph. 905-405-8272, Fax 905-405-1292
www.zurn.com

Rev. A
Date: 10/01/2018
C.N. No. 140663
Prod. | Dwg. No. FD120