

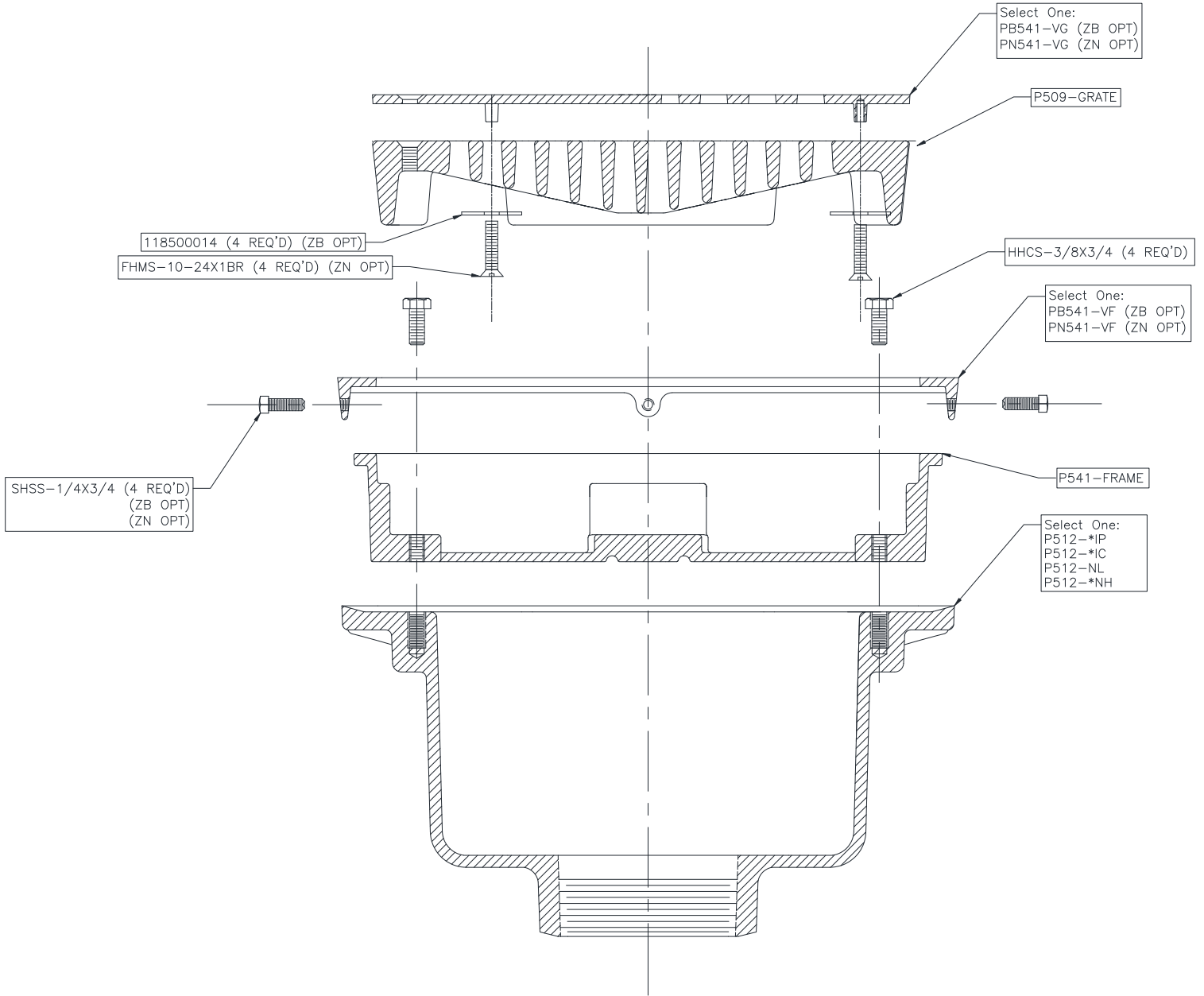
COMMON COMPONENTS



ZB512/ZN512

12 [305] HEAVY-DUTY DRAIN W/ POLISHED BRONZE/ NICKEL BRONZE TOP

Dimensional Data (inches and [mm]) are Subject to Manufacturing Tolerances and Change Without Notice



*Customer to Specify Size

Zurn Industries, LLC | Specification Drainage Operation
 1801 Pittsburgh Avenue, Erie, PA U.S.A. 16502 · Ph. 855-663-9876, Fax 814-454-7929
 In Canada | **Zurn Industries Limited**
 3544 Nashua Drive, Mississauga, Ontario L4V 1L2 · Ph. 905-405-8272, Fax 905-405-1292
www.zurn.com

Rev. A
 Date: 10/01/2018
 C.N. No. 140660
 Prod. | Dwg. No. FD121

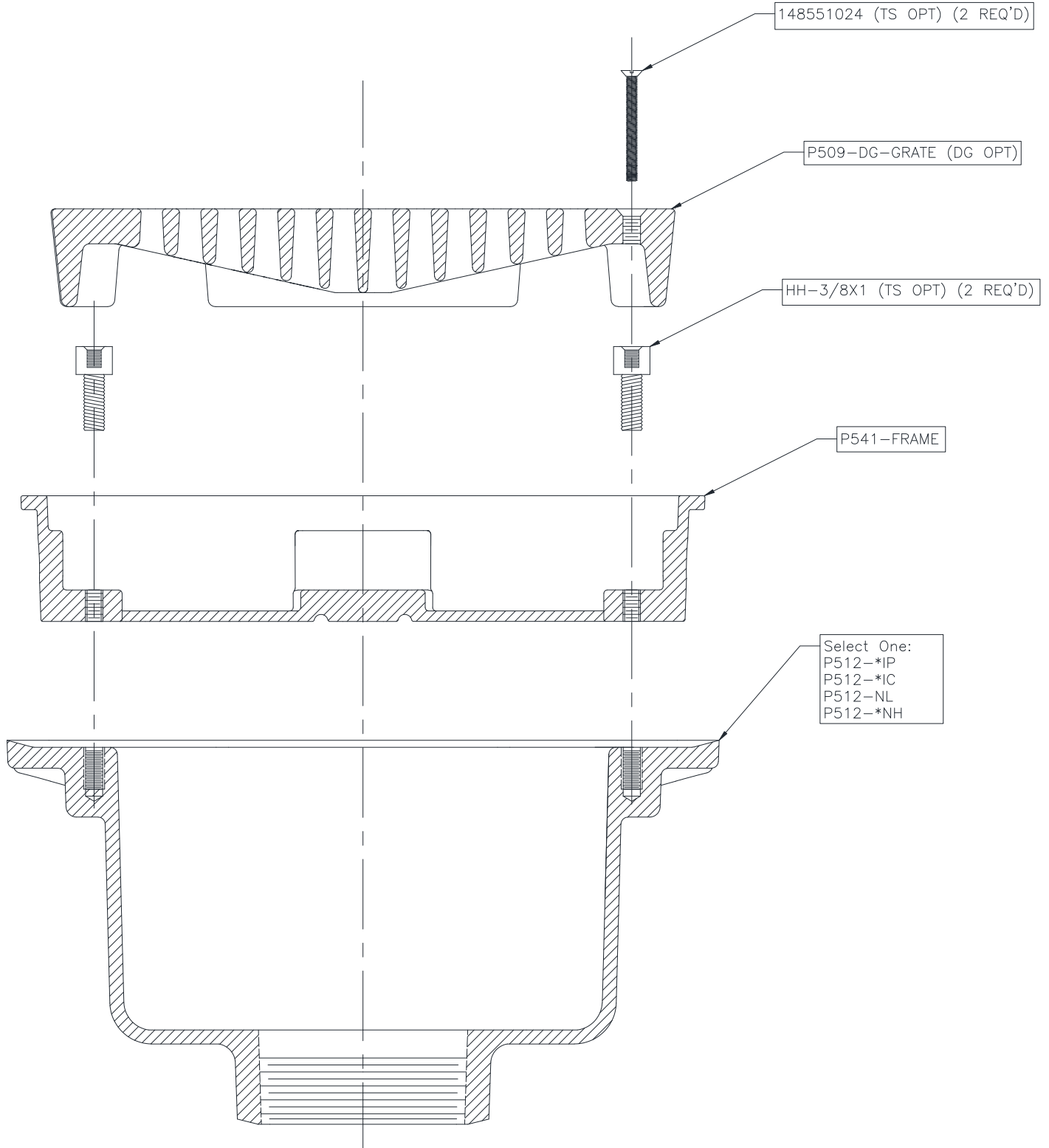


COMMON COMPONENTS

Z512-DG-TS

12 [305] HEAVY-DUTY DRAIN W/ DURESIST/HEEL-PROOF GRATE, TOP SECURED W/ SLOTTED HOLES

Dimensional Data (inches and [mm]) are Subject to Manufacturing Tolerances and Change Without Notice



*Customer to Specify Size
**Continue with Procedure P-TS-SDO