

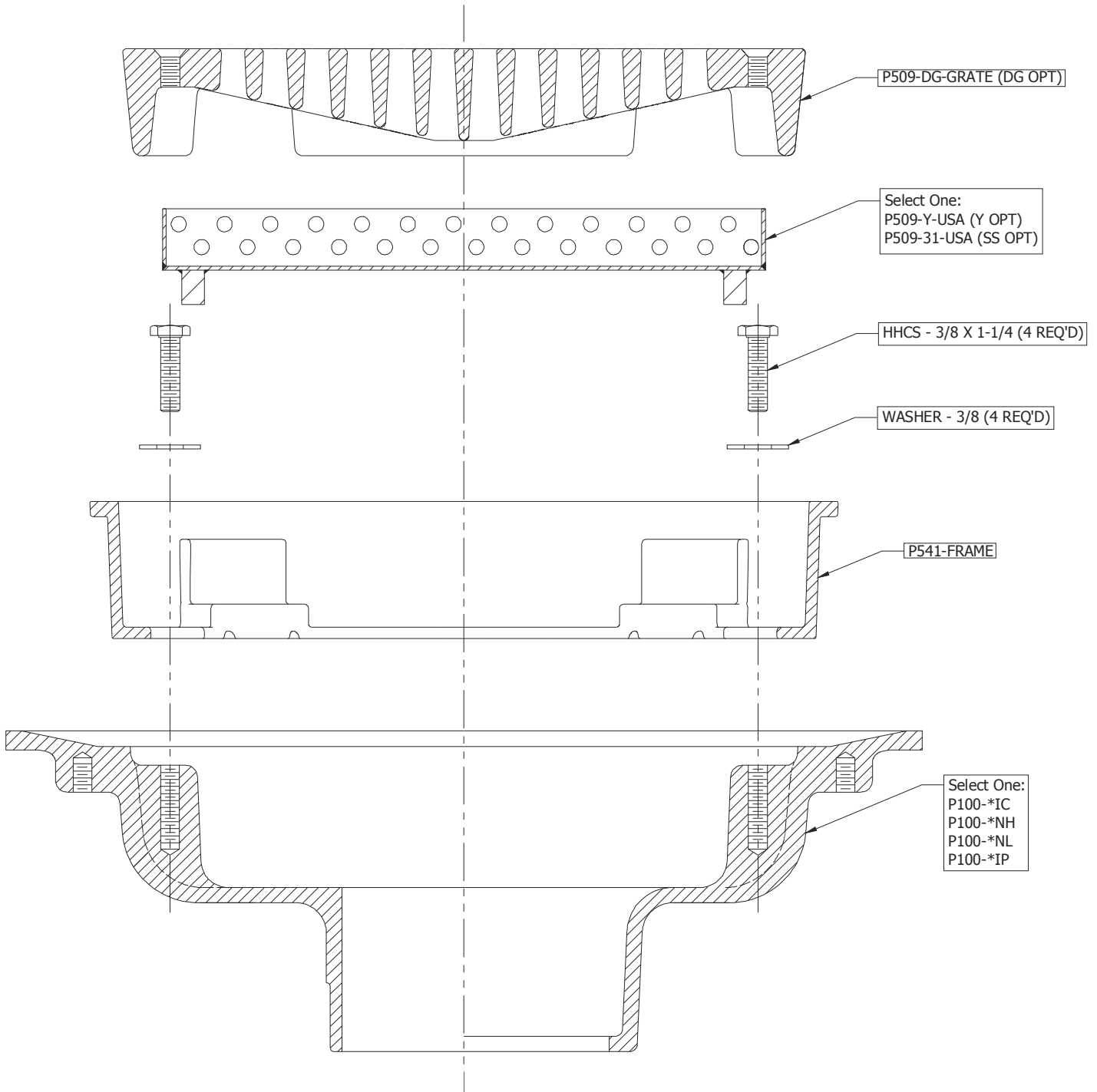


COMMON COMPONENTS

Z505-DG-SS-Y

Ø12 [305] HEAVY DUTY DRAIN W/ DURESIST GRATE AND SEDIMENT BUCKET W/ STAINLESS MESH LINER

Dimensional data (inches and [mm]) are subject to manufacturing tolerances and change without notice.



* Size determined by Customer

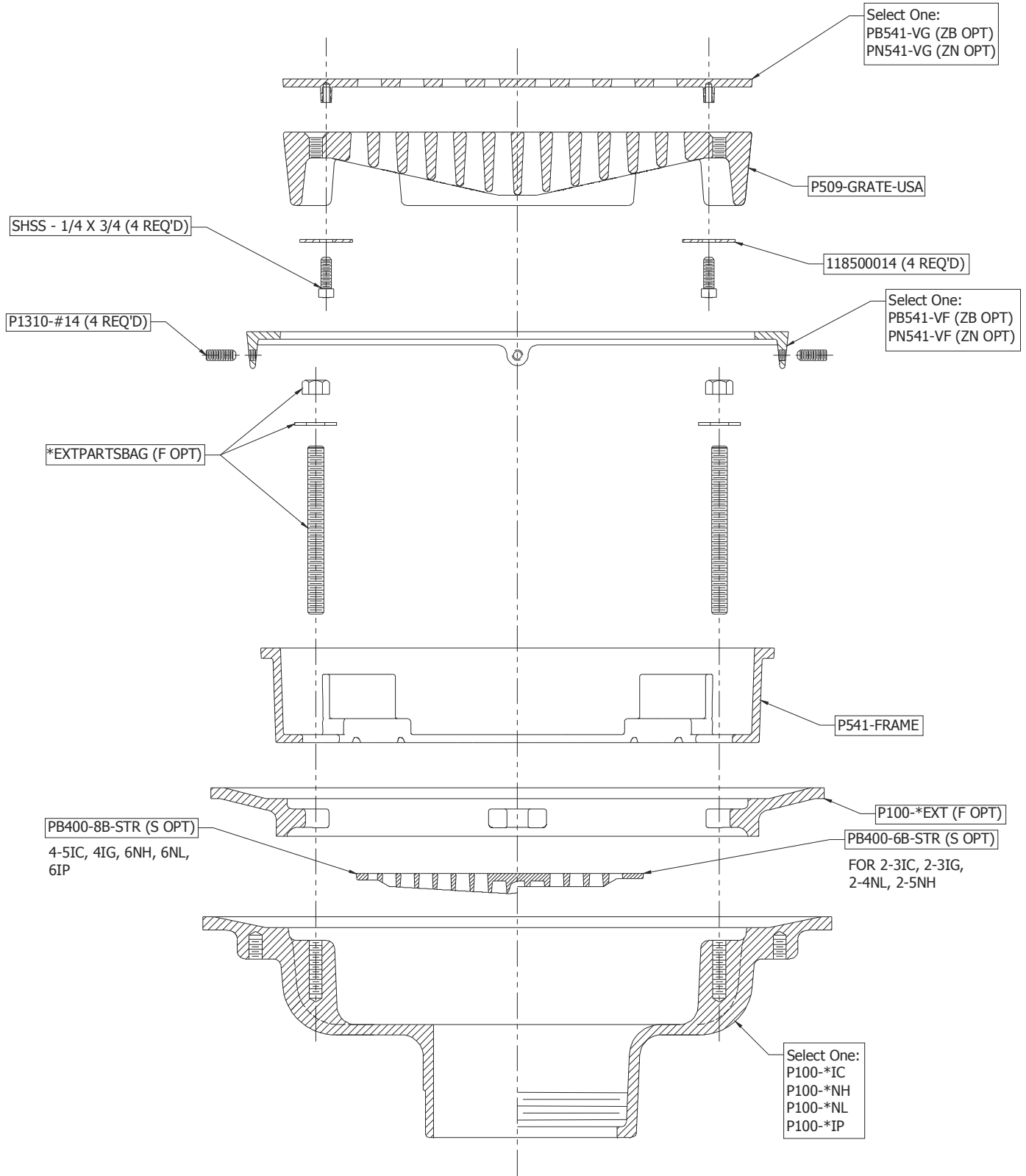


COMMON COMPONENTS

ZB/ZN505-F-S

Ø12 [305] HEAVY DUTY DRAIN W/ POLISHED BRONZE/NICKEL TOP, EXTENSION FRAME AND SECONDARY STRAINER

Dimensional data (inches and [mm]) are subject to manufacturing tolerances and change without notice.



* Size determined by Customer