

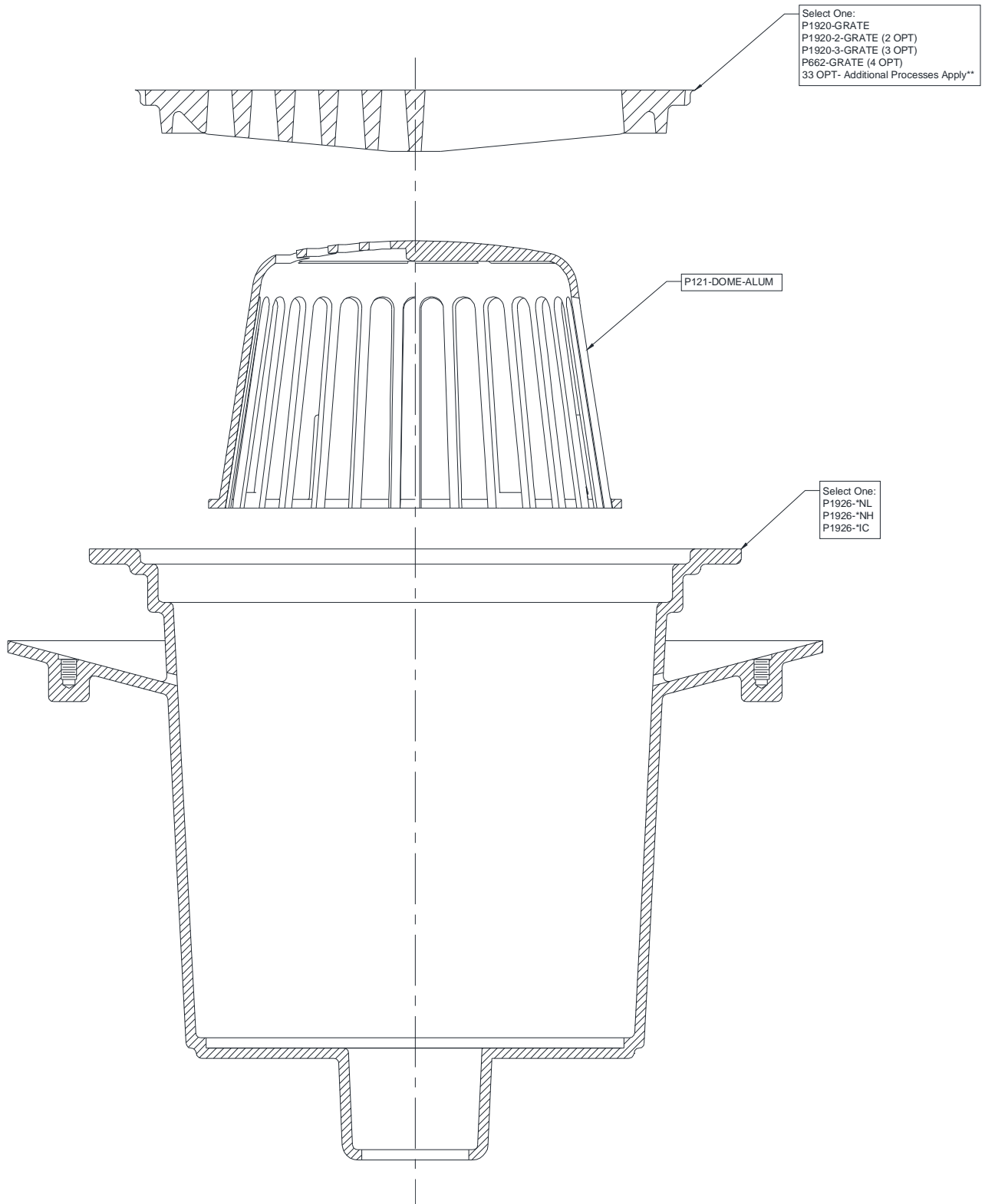


COMMON COMPONENTS

Z1926-2/3/4-33

16X16 [406X406] A.R.E SANI-FLOR RECEPTOR 12 [305] SUMP DEPTH W/ 1/2 GRATE, 3/4 GRATE, FULL GRATE W/ 3-3/4 [95] CENTER OPENING AND WHITE A.R.C. ANTI-SPLASH BOTTOM DOME STRAINER

Dimensional Data (inches and [mm]) are Subject to Manufacturing Tolerances and Change Without Notice



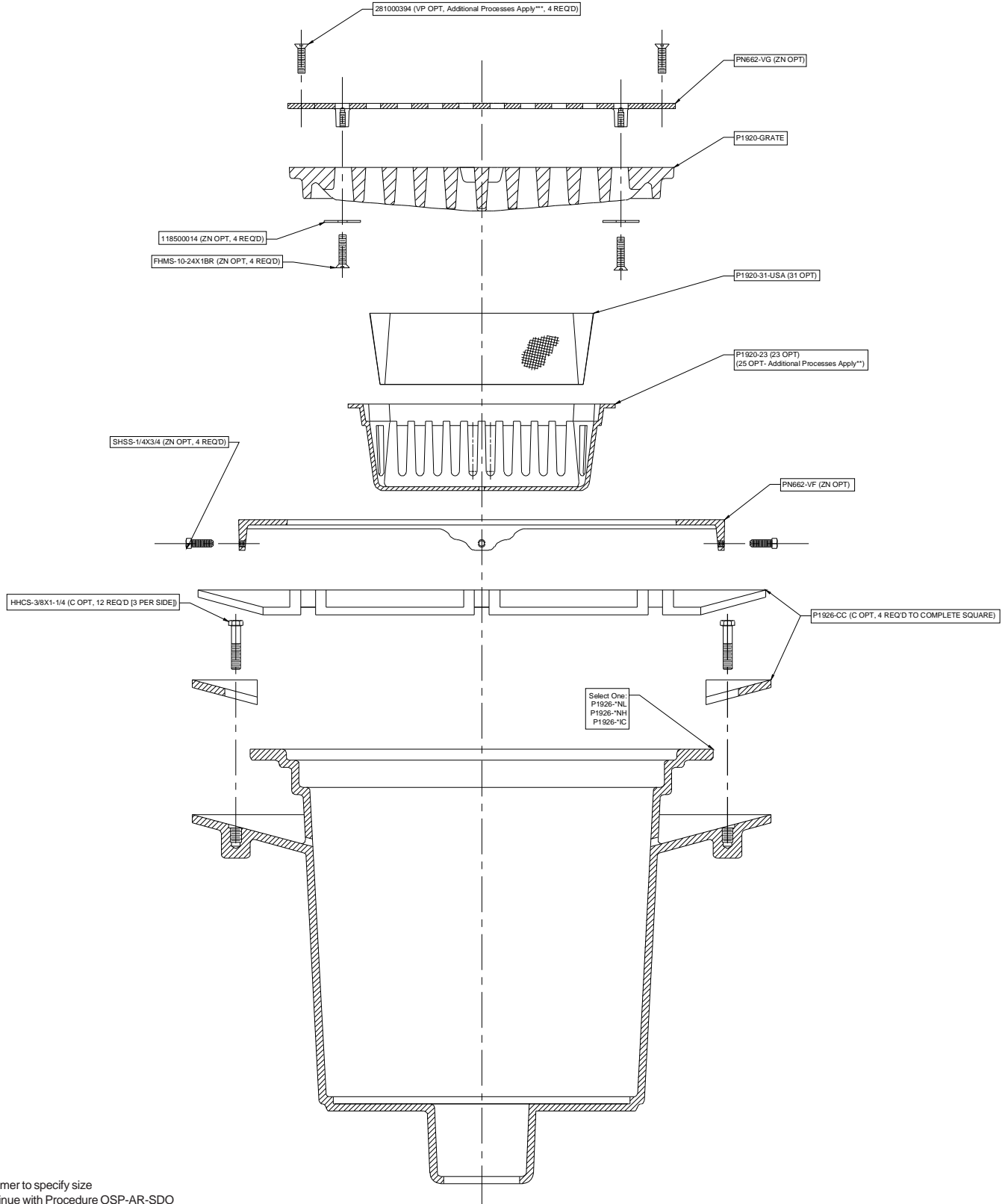
*Customer to specify size
**Continue with Procedure OSP-AR-SDO



COMMON COMPONENTS
ZN1926-C-11-23/25-31

16X16 [406X406] A.R.C. SANI-FLOOR RECEPTOR 12 [305] SUMP DEPTH W/ NICKEL BRONZE TOP, CLAMP COLLAR, VANDAL-PROOF SECURED GRATE, ALUMINUM/ WHITE A.R.C. BUCKET AND STAINLESS MESH LINER

Dimensional Data (inches and [mm]) are Subject to Manufacturing Tolerances and Change Without Notice



*Customer to specify size
 **Continue with Procedure OSP-AR-SDO
 ***Continue with Procedure P-VP-SDO