

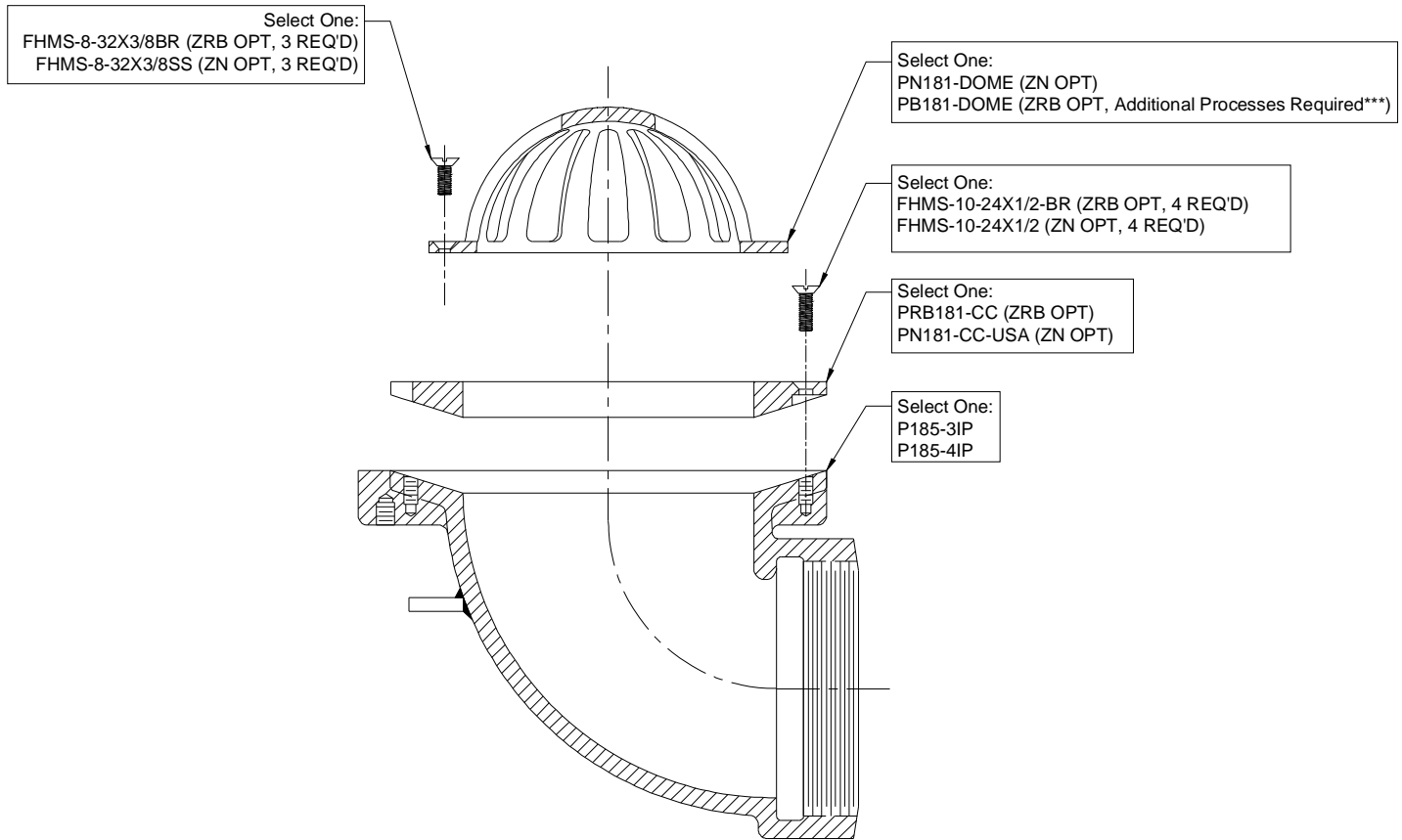


COMMON COMPONENTS

ZN/ZRB185

6 [152] DIAMETER CORNICE DRAIN W/ POLISHED NICKEL-BRONZE/PLAIN BRONZE DOME AND 90° OUTLET

Dimensional data (inches and [mm]) are subject to manufacturing tolerances and change without notice.



* Size determined by customer

***Continue with Process OSP-SANDBLAST-SDO

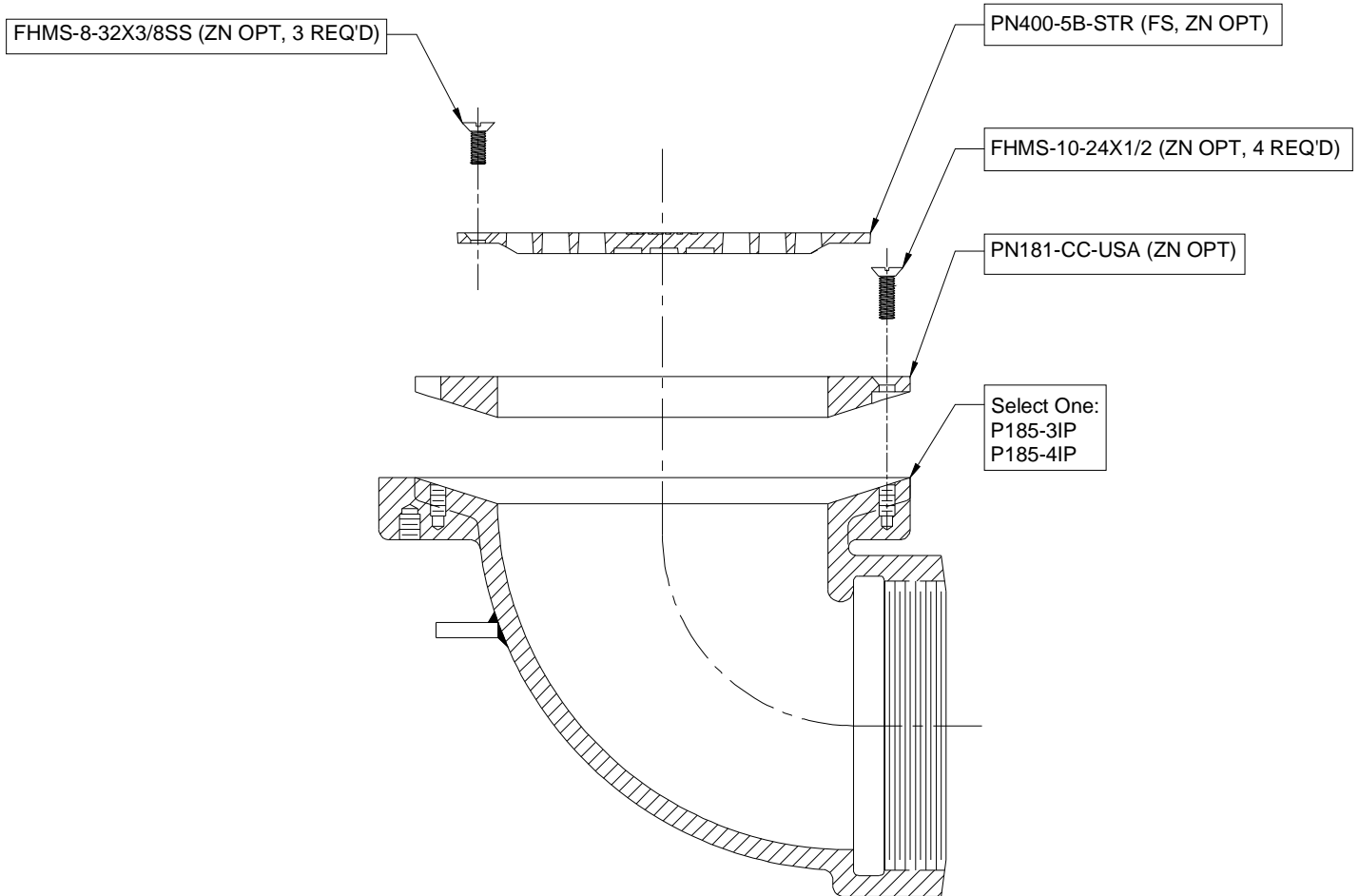


COMMON COMPONENTS

ZN185-FS

6 [152] DIAMETER CORNICE DRAIN W/ POLISHED NICKEL-BRONZE, FLAT STRAINER AND 90° OUTLET

Dimensional data (inches and [mm]) are subject to manufacturing tolerances and change without notice.



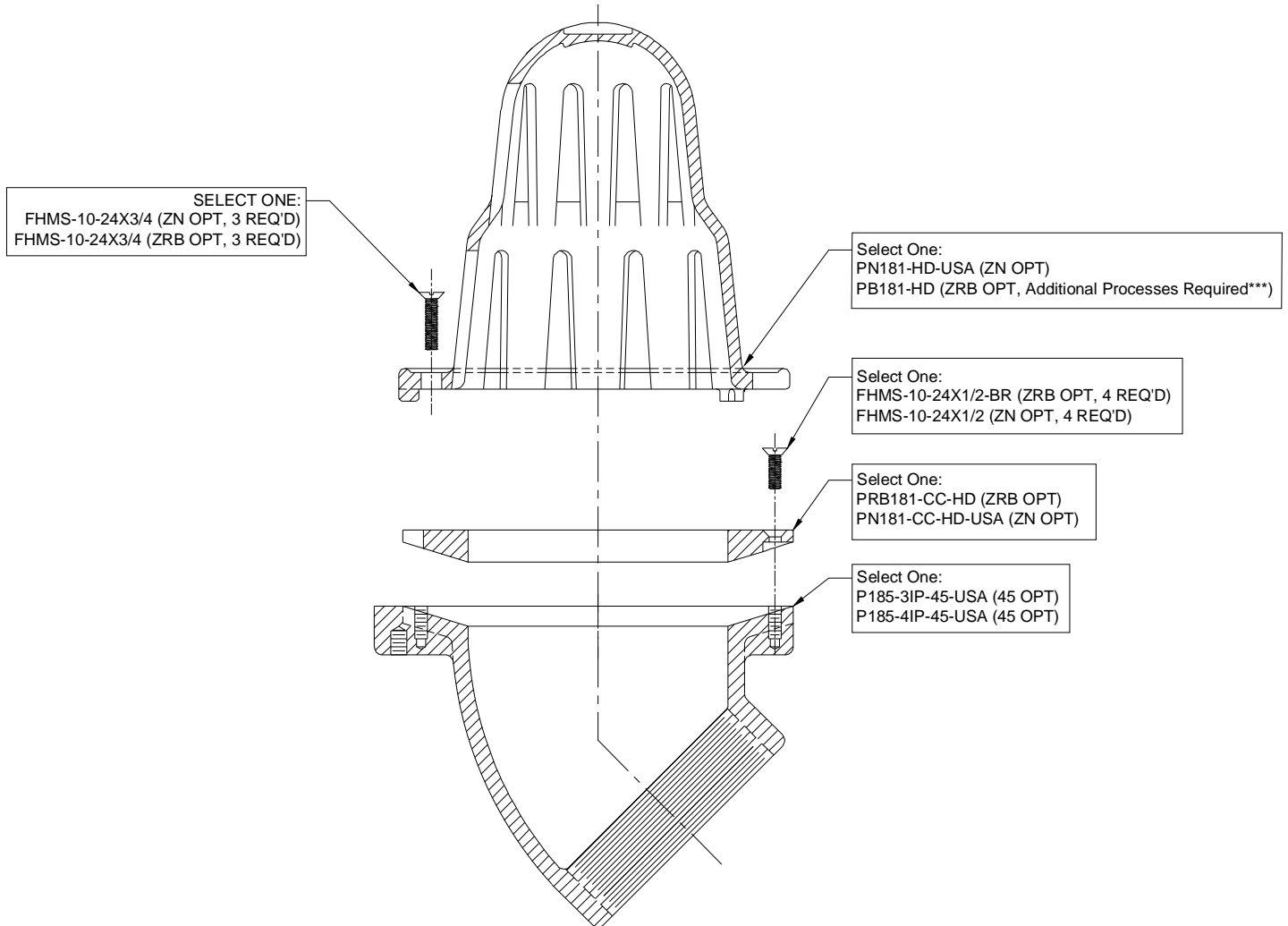
* Size determined by customer



COMMON COMPONENTS
ZN/ZRB185-HD-45

6 [152] DIAMETER CORNICE DRAIN W/ POLISHED NICKEL-BRONZE/PLAIN
BRONZE HIGH DOME AND 45° OUTLET

Dimensional data (inches and [mm]) are subject to manufacturing tolerances and change without notice.



* Size determined by customer

***Continue with Process OSP-SANDBLAST-SDO

Zurn Industries, LLC | Specification Drainage Operation

1801 Pittsburgh Avenue, Erie, PA U.S.A. 16502 · Ph. 855-663-9876, Fax 814-454-7929

In Canada | Zurn Industries Limited

3544 Nashua Drive, Mississauga, Ontario L4V 1L2 · Ph. 905-405-8272, Fax 905-405-1292

www.zurn.com

Rev. A

Date: 8/14/2018

C.N. No. 140423

Form # RD123

Sheet 3 of 3