

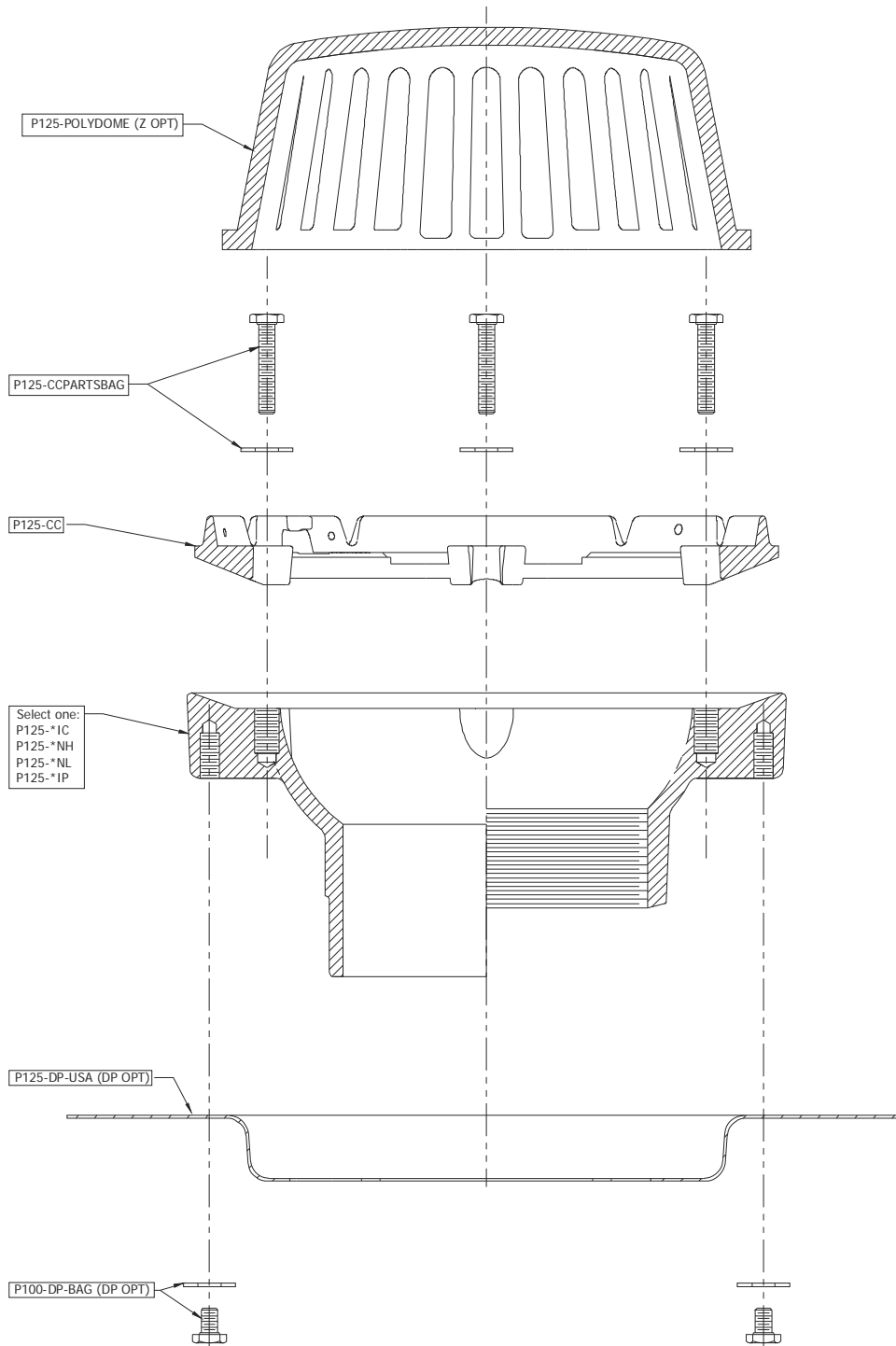


COMMON COMPONENTS

Z125-DP

Ø8-3/8 [213] ROOF DRAIN W/ TOP-SET ROOF DECK PLATE

Dimensional data (inches and [mm]) are subject to manufacturing tolerances and change without notice.



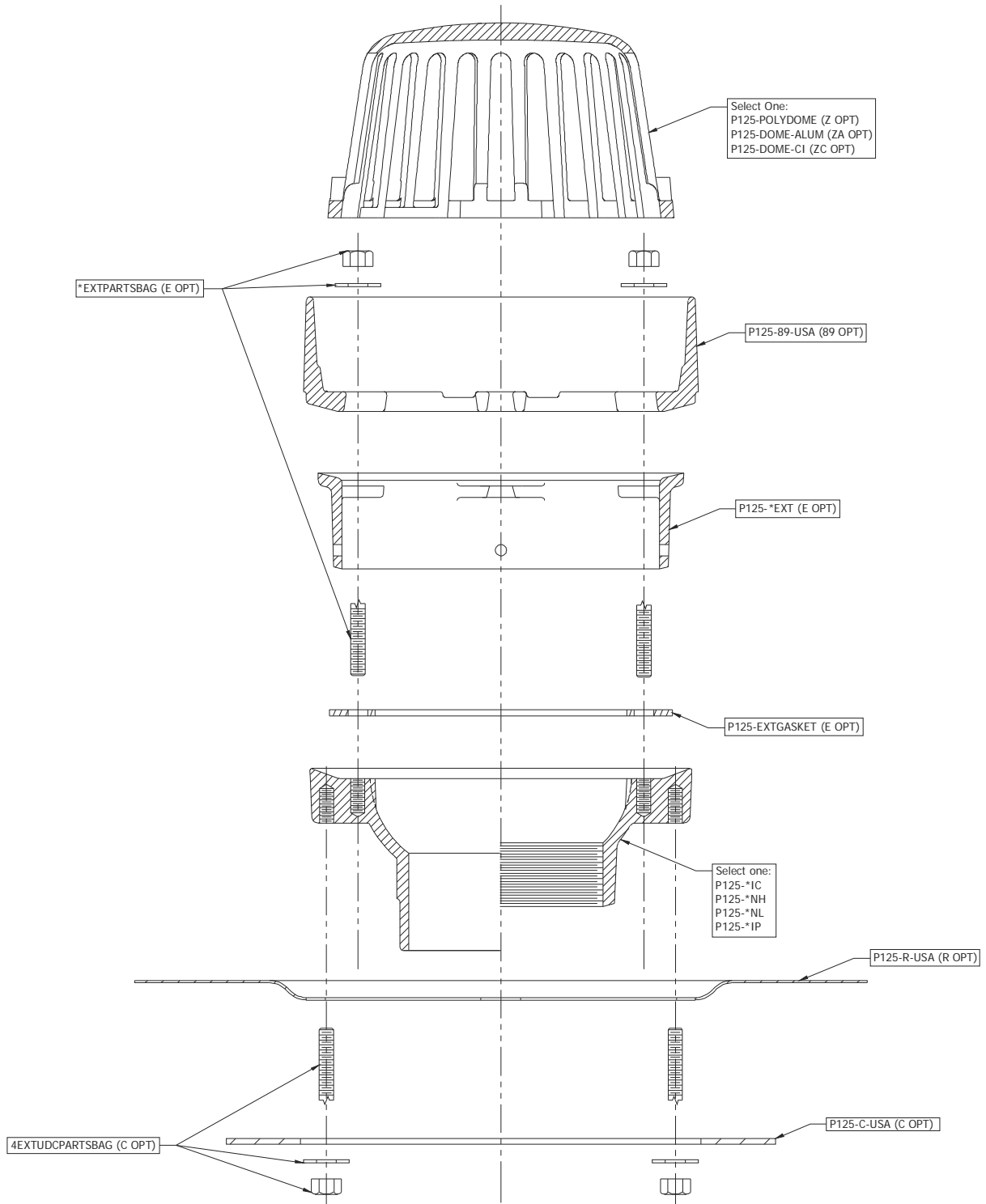
* Size determined by Customer



COMMON COMPONENTS Z/ZA/ZC125-C-E-R-89

Ø8-3/8 [213] ROOF DRAIN W/ UNDERDECK CLAMP, STATIC EXTENSION, ROOF SUMP RECEIVER,
2 [51] HIGH EXTERNAL WATER DAM & LOW SILHOUETTE POLY/ALUMINUM/CAST IRON DOME

Dimensional data (inches and [mm]) are subject to manufacturing tolerances and change without notice.



* Size determined by Customer

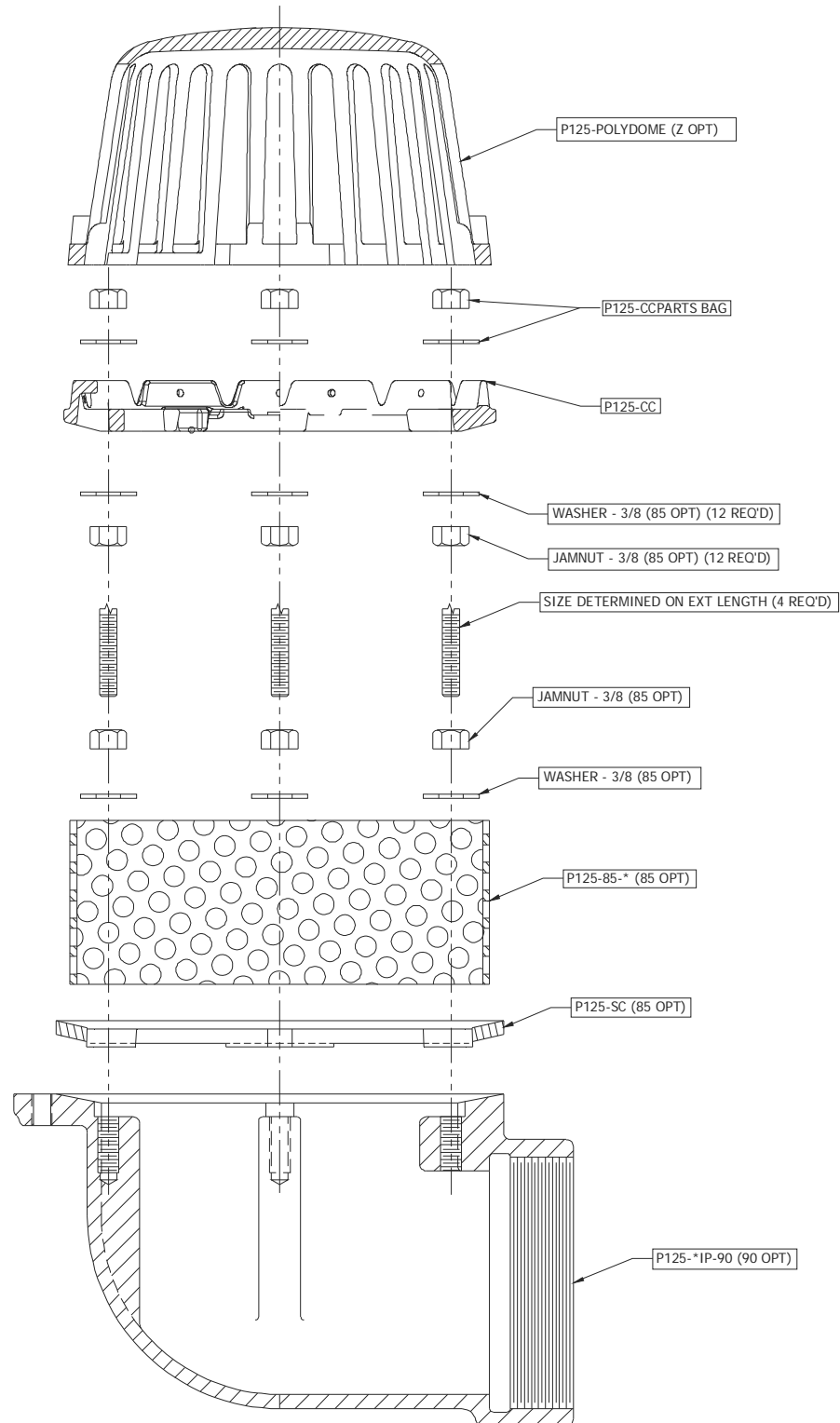


COMMON COMPONENTS

Z125-85-90

Ø8-3/8 [213] ROOF DRAIN W/ PERFORATED EXTENSION AND 90° THREADED SIDE OUTLET BODY

Dimensional data (inches and [mm]) are subject to manufacturing tolerances and change without notice.



* Size determined by Customer

Zurn Industries, LLC | Specification Drainage Operation
1801 Pittsburgh Avenue, Erie, PA U.S.A. 16502 · Ph. 855-663-9876, Fax 814-454-7929
In Canada | **Zurn Industries Limited**
3544 Nashua Drive, Mississauga, Ontario L4V 1L2 · Ph. 905-405-8272, Fax 905-405-1292
www.zurn.com

Rev. A
Date: 08/09/18
C.N. No. 140392
Form # RD119