

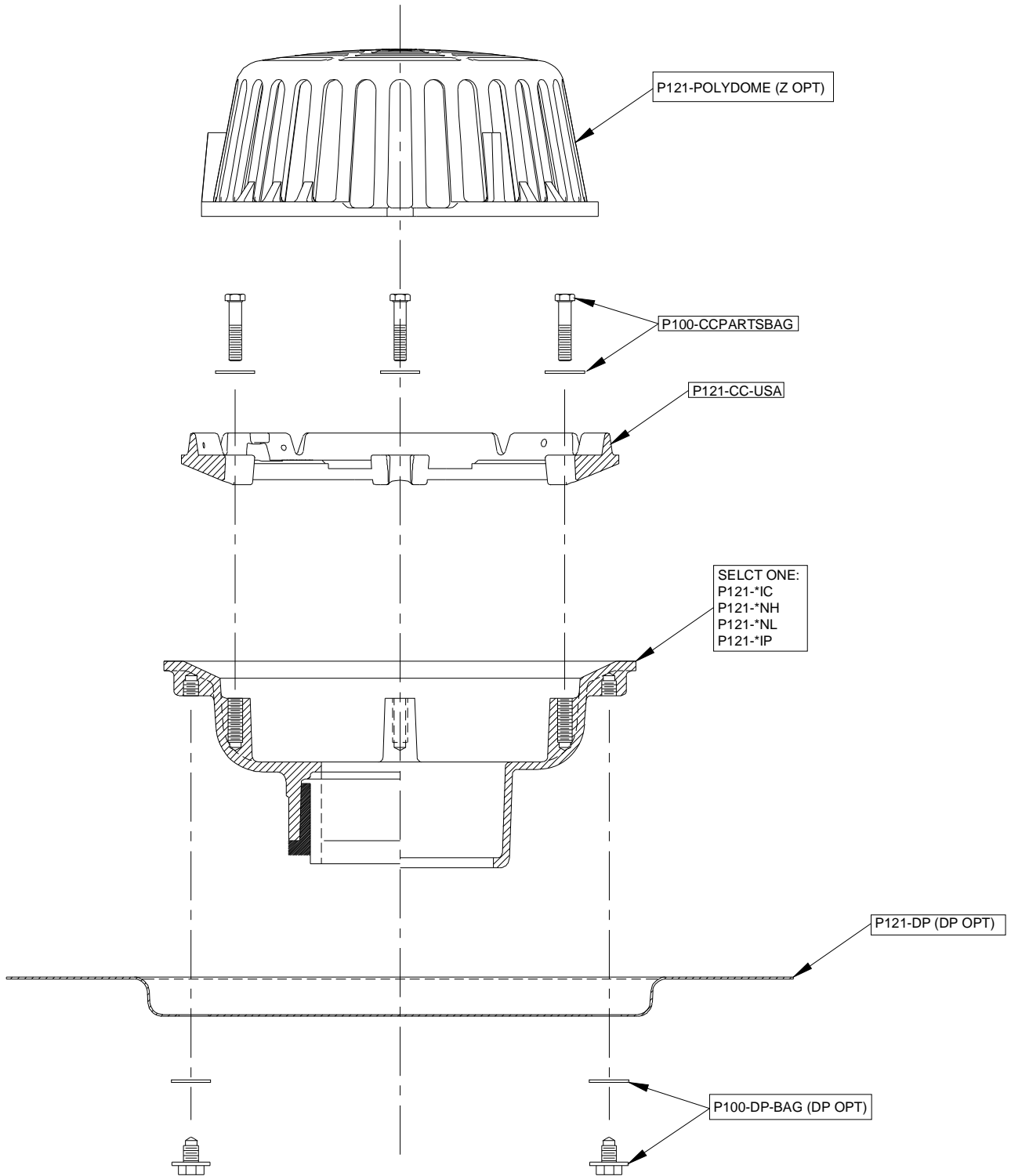


COMMON COMPONENTS

Z121-DP

12 [305] DIAMETER ROOF DRAIN W/ LOW SILHOUETTE DOME AND TOP-SET® ROOF DECK PLATE

Dimensional Data (inches and [mm]) are Subject to Manufacturing Tolerances and Change Without Notice



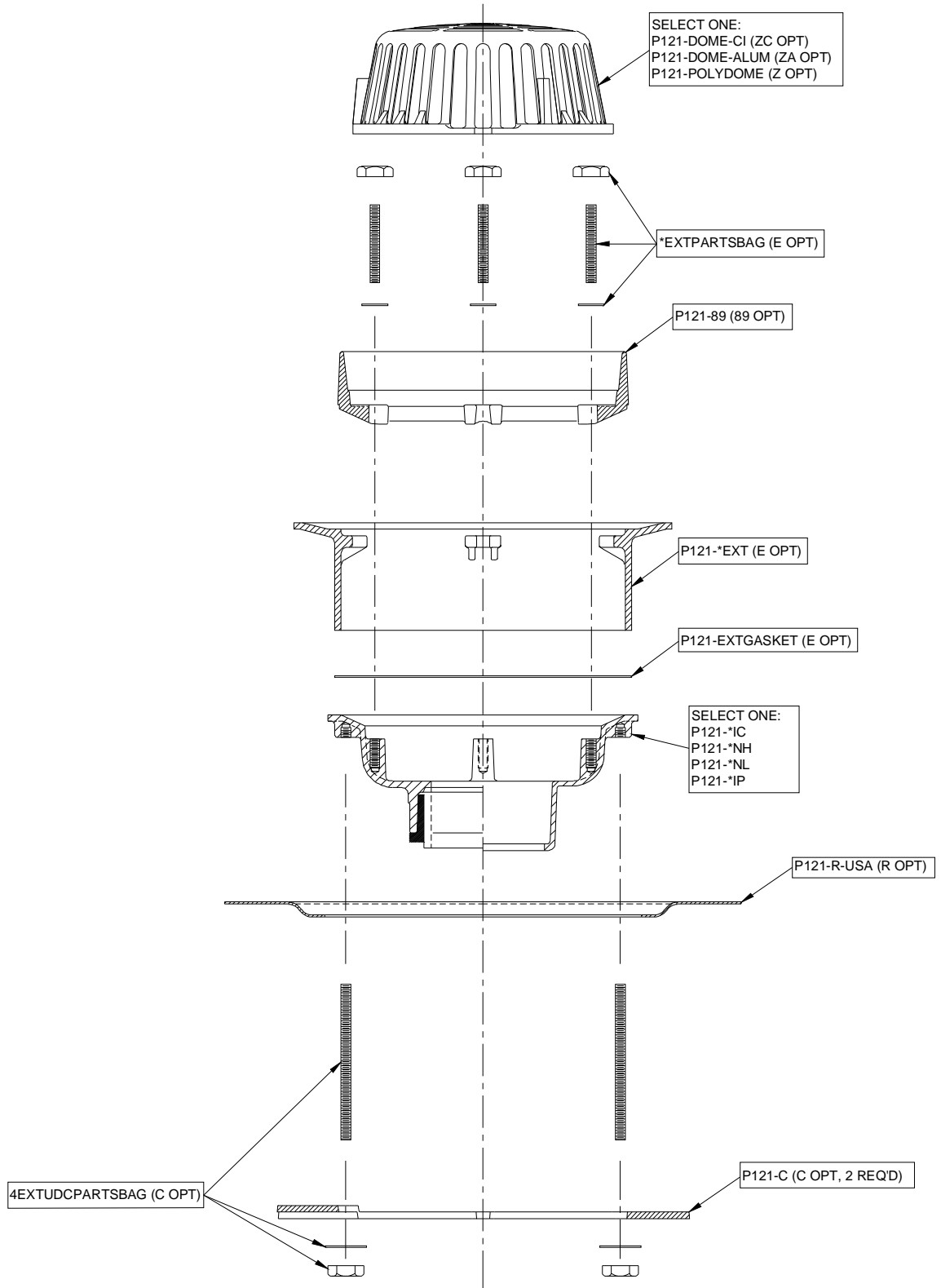
* Size determined by Customer



COMMON COMPONENTS Z/ZC/ZC121-C-E-R-89

12 [305] DIAMETER ROOF DRAIN W/ LOW SILHOUETTE POLY/CAST IRON/ALUMINUM DOME, UNDERDECK CLAMP, STATIC EXTENSION, ROOF SUMP RECIEVER, AND EXTERNAL WATER DAM

Dimensional Data (inches and [mm]) are Subject to Manufacturing Tolerances and Change Without Notice



* Size determined by Customer

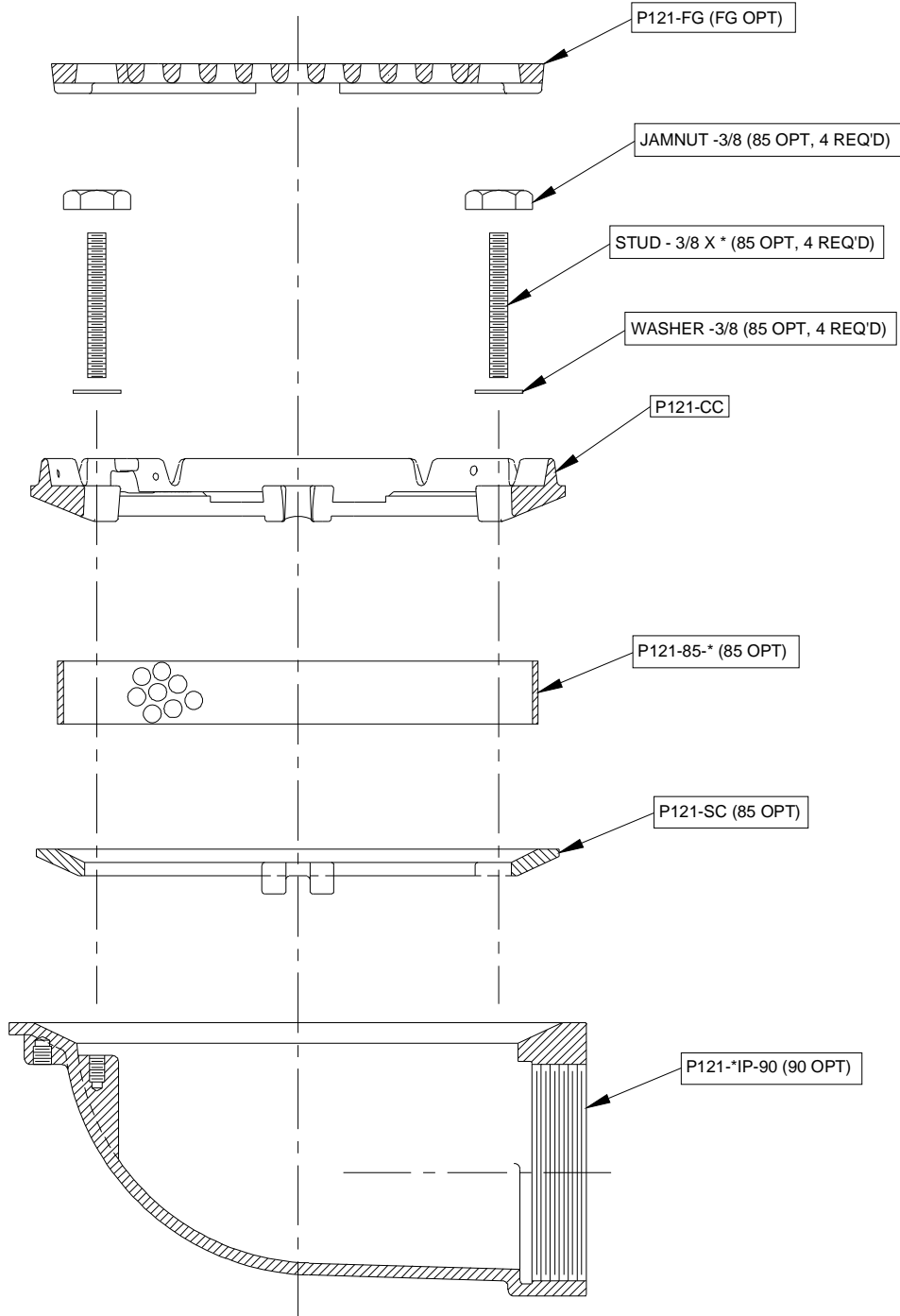


COMMON COMPONENTS

Z121-FG-85-90

12 [305] DIAMETER ROOF DRAIN W/ LOW SILHOUETTE DOME AND FLUSH GRATE, STAINLES STEEL PERFORATED EXTENSION, AND SIDE OUTLET BODY

Dimensional Data (inches and [mm]) are Subject to Manufacturing Tolerances and Change Without Notice



* Size determined by Customer