



# Roof Drain w/ Dome and Gravel Guard

Dimensional data (inches and [mm]) are subject to manufacturing tolerances and change without notice.

## PRODUCT DESCRIPTION:

(Dura-Coated Cast Iron, ABS, or PVC) drain body, Cast Iron gravel guard, and (Cast Iron or Polypropylene) dome. Material to be selected as required for application.

### Dome and Gravel Guard - (Pick ONE)

- LC-RD08CI 8 [203] Cast Iron Dome and Gravel Guard
- LC-RD08PL 8 [203] Poly-Dome and Gravel Guard

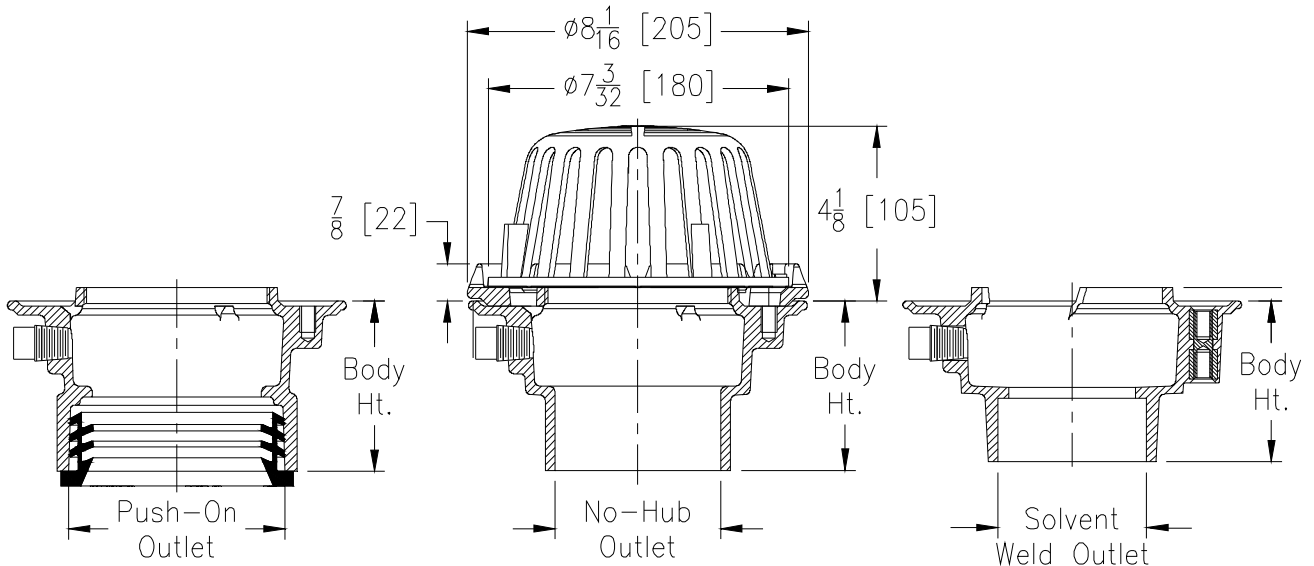
### Drain Body Material / Outlet Size / Outlet Type - (Pick ONE)

<input type="checkbox"/> LC-C2N D.C.C.I.	4	[102] Body Ht.	2	[51] No-Hub Outlet
<input type="checkbox"/> LC-C3N D.C.C.I.	4	[102] Body Ht.	3	[76] No-Hub Outlet
<input type="checkbox"/> LC-C4N D.C.C.I.	4	[102] Body Ht.	4	[102] No-Hub Outlet
<input type="checkbox"/> LC-C2P D.C.C.I.	4-5/64	[104] Body Ht.	2	[51] Push-On Outlet
<input type="checkbox"/> LC-C3P D.C.C.I.	4-3/64	[102] Body Ht.	3	[76] Push-On Outlet
<input type="checkbox"/> LC-C4P D.C.C.I.	4-1/64	[102] Body Ht.	4	[102] Push-On Outlet
<input type="checkbox"/> LC-A2S ABS	3-5/64	[78] Body Ht.	2	[51] Solvent Weld Outlet
<input type="checkbox"/> LC-A3S ABS	3-51/64	[96] Body Ht.	3	[76] Solvent Weld Outlet
<input type="checkbox"/> LC-A4S ABS	4-1/64	[102] Body Ht.	4	[102] Solvent Weld Outlet
<input type="checkbox"/> LC-P2S PVC	3-5/64	[78] Body Ht.	2	[51] Solvent Weld Outlet
<input type="checkbox"/> LC-P3S PVC	3-51/64	[96] Body Ht.	3	[76] Solvent Weld Outlet
<input type="checkbox"/> LC-P4S PVC	4-1/64	[102] Body Ht.	4	[102] Solvent Weld Outlet

(Check/specify appropriate drain options)

### Suffixes

- LC-C Roof Drain Underdeck Clamp
- LC-RS Roof Sump Receiver



\* Regularly furnished unless otherwise specified.