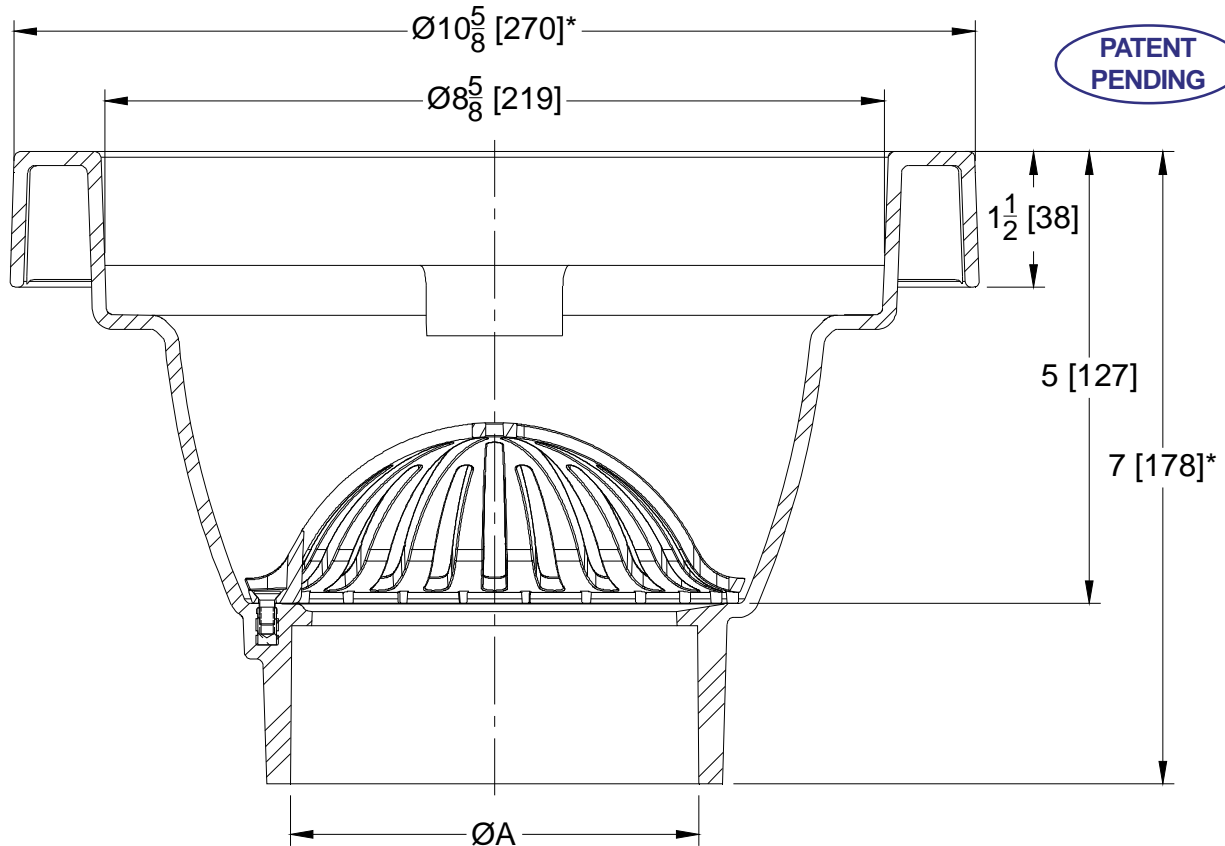


**FS8**8 [203] DIAMETER SANITARY PVC FLOOR SINK  
WITH 5 [127] SUMP DEPTH

SPECIFICATION SHEET

TAG \_\_\_\_\_

Design and Dimensional Data (inches and [ mm ]) are Subject to Manufacturing Tolerances and Change Without Notice

**ENGINEERING SPECIFICATION: ZURNFS8**

Sanitary PVC floor sink with 10-5/8 [270 mm] diameter top x 5" [127mm] deep sump with smooth internal surface and Sani-Loc dome strainer, designed in accordance to ASME A112.6.7 & CSA B45.5/IAPMO Z124 standards. All full grates are rated medium-duty unless otherwise noted.

Product	"A" Connections
___ FS8-5-PV2	2 [51] PVC Solvent Weld
___ FS8-5-PV3	3 [76] PVC Solvent Weld
___ FS8-5-PV4	4 [102] PVC Solvent Weld

\* Add 5/8 [16] to diameter and 7/16 [11] to overall height.

**SUFFIXES**

- \_\_\_ -F Full PVC Grate
- \_\_\_ -H Half PVC Grate
- \_\_\_ -NF Full Nickel Bronze Grate\* (light-duty)
- \_\_\_ -NH Half Nickel Bronze Grate\*
- \_\_\_ -SF Full Stainless Steel Grate\*
- \_\_\_ -SH Half Stainless Steel Grate\*
- \_\_\_ -TSP ZShield Z1072
- \_\_\_ -Y Plastic Sediment Bucket
- \_\_\_ -YS Stainless Steel Mesh Bucket

**⚠ WARNING:** Cancer and Reproductive Harm - [www.P65Warnings.ca.gov](http://www.P65Warnings.ca.gov)

**⚠ ADVERTENCIA:** Cáncer y daño reproductivo - [www.P65Warnings.ca.gov](http://www.P65Warnings.ca.gov)

**⚠ AVERTISSEMENT:** Cancer et effets néfastes sur la reproduction - [www.P65Warnings.ca.gov](http://www.P65Warnings.ca.gov)

Zurn Industries, LLC | Specification Drainage Operation  
1801 Pittsburgh Avenue, Erie, PA 16502, Ph. 855.663.9876

In Canada | Zurn Industries Limited  
7900 Goreway Drive, Unit 10, Brampton, Ontario L6T 5W6, Ph. 877.892.5216

[www.zurn.com](http://www.zurn.com)

Rev. -  
Date: 10/9/2019  
C.N. No. 141110  
Prod. | Dwg. No. FS8