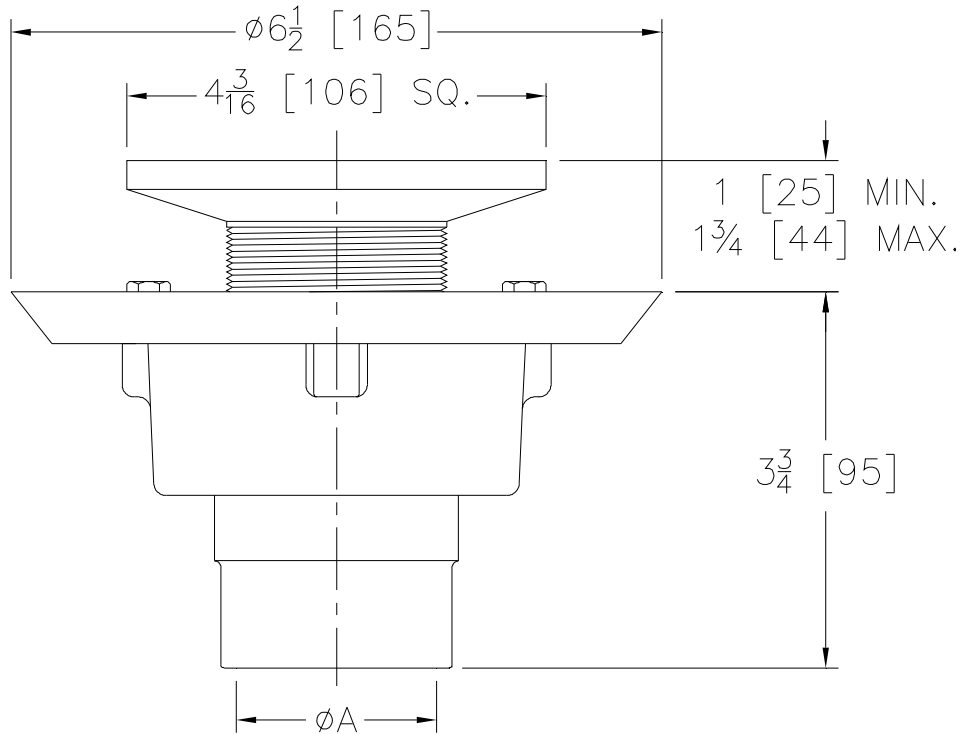


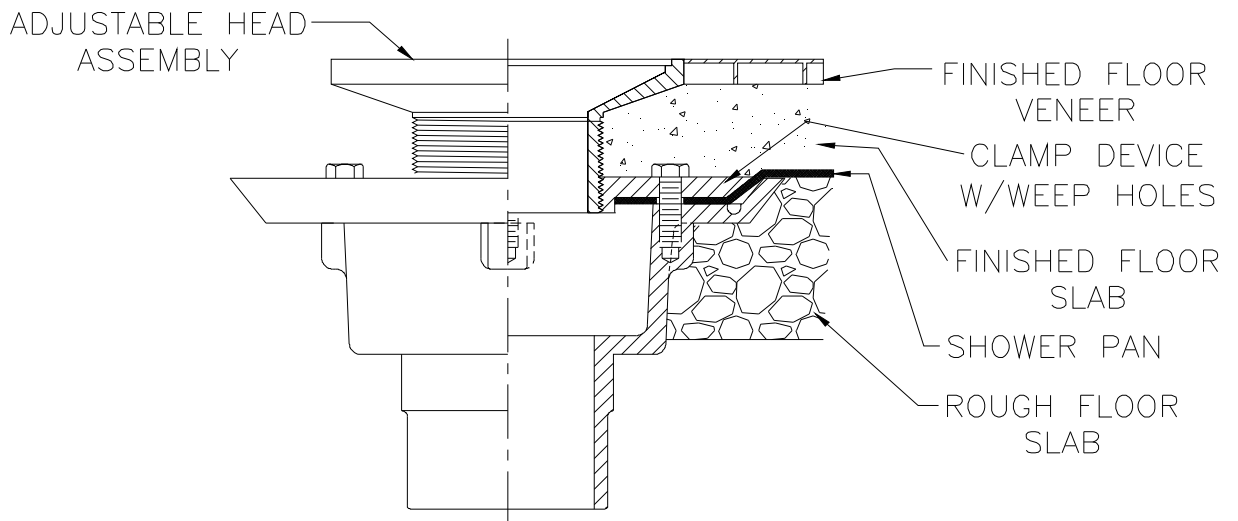
Dimensional Data (inches and [mm]) are Subject to Manufacturing Tolerances and Change Without Notice



PRODUCT	'A' CONN.	Grate Open Area Sq. In [cm ²]
_____ FD2254-NH2-CS4	2 [51] No-Hub	3 [21]
_____ FD2254-PO2-CS4	2 [51] Push-On	3 [21]
_____ FD2254-IC2-CS4	2 [51] Inside Caulk	3 [21]
_____ FD2254-IP2-CS4	2 [51] Threaded	3 [21]

FD2254-CI-CS4 SHOWER DRAIN

Recommended in showers where a membrane is generally used. The head is adjustable to meet finished floor elevations. The drain is furnished with a 6 1/2 diameter cast iron body and beveled clamp collar. Provided with a brass 4 3/16 [106] square strainer head assembly.



Typical Installation