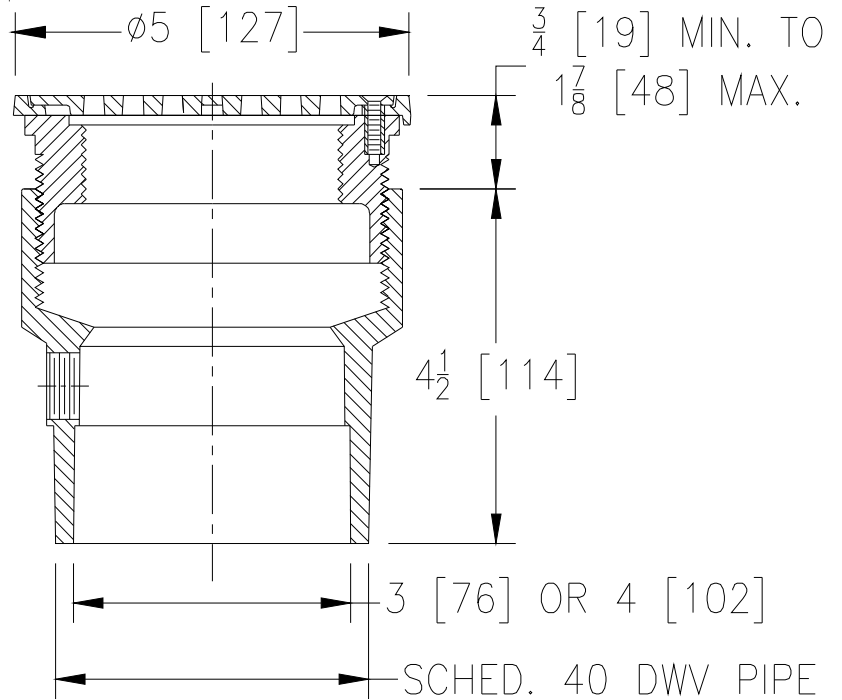


Dimensional Data (inches and [mm]) are Subject to Manufacturing Tolerances and Change Without Notice



Product	Outlet Connection	Grate Open Area Sq. In [cm ²]
___ FD2212-PVC	3 [76] x 4 [102] Solvent Weld	3 [19]
___ FD2212-ABS	3 [76] x 4 [102] Solvent Weld	

FD2212 3 x 4 [76 x 102] Finished Area Adjustable Floor Drain: Recommended for finished floor areas and drain is designed for foot traffic and light-duty applications. Complete with PVC or ABS body, adjustable PVC head and nickel bronze frame and grate. Outlet connection fits over 3 [76] and inside 4 [102] sch. 40 DWV pipe.

Options:

- ___ **CP** Chrome Plated Top
- ___ **-NT** Nickel Bronze Grate
- ___ **-VP** Vandal-Proof

Typical installation

