



Model 475ST

Reduced Pressure Principle Assembly

Application

Designed for drop in replacement of competitor valves and new installation on potable water lines to protect against both backsiphonage and backpressure of contaminated water into the potable water supply. Assembly shall provide protection where a potential health hazard exists. The Model 475ST is for applications requiring vertical flow up and vertical flow down. The configuration 475STV is for applications requiring vertical flow up. Ideal for use where lead-free valves are required.

Standards Compliance

- Approved by the Foundation for Cross Connection Control and Hydraulic Research at the University of Southern California
- ASSE® Listed 1013
- AWWA Compliant C511 (with gates only), and C550
- CSA® Certified B64.4
- UL® Classified
- C-UL® Classified
- FM® Approved
- Meets the requirements of NSF/ANSI/CAN 61* (0.25% MAX. WEIGHTED AVERAGE LEAD CONTENT)

Materials

Main Valve Body	304L Stainless steel
Access covers	304L Stainless steel
Coatings	FDA Approved electrostatic epoxy finish
Internals	Stainless steel, 300 Series NORYL™, NSF Listed
Fasteners & Springs	Stainless Steel, 300 Series
Seal rings	EPDM (FDA approved)
O-rings	Buna Nitrile (FDA approved)
Sensing line	Stainless Steel, braided hose

Features

Sizes:	4", 6", 8", 10"
Maximum working water pressure	175 psi
Minimum working water pressure	25 psi
Maximum working water temperature	140° F
Minimum working water temperature	33° F
Hydrostatic test pressure	350 psi
End connections	(Grooved for steel pipe) AWWA C606-87 (Flanged bolt pattern) ASME B16.42 Class 150

Dimensions & Weights (do not include pkg.)

SIZE	WEIGHT											
	WITH NRS GATE (GXF)		WITH NRS GATE (GXG)		WITH OS&Y GATES (GXF)		WITH OS&Y GATES (GXG)		WITH BFLY VALVES (GXF)		WITH BFLY VALVES (GXG)	
	lbs.	kg	lbs.	kg	lbs.	kg	lbs.	kg	lbs.	kg	lbs.	kg
4"	178	81	158	72	204	93	184	84	155	70	132	60
6"	299	135	275	124	331	150	307	139	221	100	190	86
8"	535	242	497	225	581	263	543	246	428	194	382	173
10"	738	335	684	310	824	374	770	349	534	242	476	216

SIZE	DIMENSION (approximate)																				
	A		B WITH GATE VALVES		B WITH BUTTERFLY VALVES		C OS&Y OPEN		C OS&Y CLOSED		C NRS GATES		C WITH BUTTERFLY VALVES		D		E WITH BUTTERFLY VALVES				
	in.	mm	in.	mm	in.	mm	in.	mm	in.	mm	in.	mm	in.	mm	in.	mm	in.	mm			
4" 475ST	100	14	356	22 1/4	565	19 7/8	505	22 1/2	572	18 1/4	464	14 1/2	368	9	229	4 3/4	119	18 3/8	467	18 3/8	467
4" 475STV	100	14	356	29 7/8	760	25 1/8	638	22 1/2	572	18 1/4	464	14 1/2	368	9	229	4 3/4	119	22 1/4	565	19 7/8	505
6" 475ST	150	16	406	27 7/8	708	24 3/4	630	30 1/2	775	24 1/4	616	18	457	10 1/4	260	6 1/8	158	22 3/8	570	22 3/8	570
6" 475STV	150	16	406	36 1/4	922	29 1/8	740	30 1/2	775	24 1/4	616	18	457	10 1/4	260	6 1/8	158	27 7/8	708	24 3/4	630
8" 475ST	200	18 1/2	470	34 7/8	886	29 1/8	740	37	940	28 1/2	724	22	560	12	305	8 7/8	223	30 5/8	780	30 5/8	780
8" 475STV	200	18 1/2	470	40 1/4	1022	33 1/8	841	37	940	28 1/2	724	22	560	12	305	8 7/8	223	34 7/8	886	29 1/8	740
10" 475ST	250	21	533	38 3/4	984	35 3/4	910	45 5/8	1159	34 3/4	883	24 3/4	630	13	330	8 7/8	223	32 3/4	832	32 3/4	832
10" 475STV	250	21	533	45 7/8	1165	39 13/16	1011	45 5/8	1159	34 3/4	883	24 3/4	630	13	330	8 7/8	223	38 3/4	984	35 3/4	908



LEAD FREE



NSF/ANSI/CAN 61

Options (Suffixes can be combined)

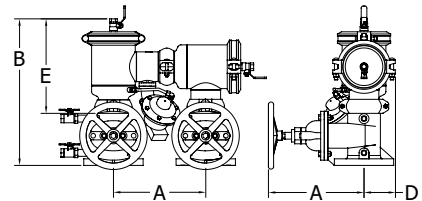
- with NRS shut-off valves (standard)
- G - with groove end gate valves
- FG - with flanged inlet gate connection and grooved outlet gate connection
- OSY - with OS&Y gate valves
- V - vertical flow up configuration
- BG - with grooved end butterfly valves with integral supervisory switches
- BF - with flanged end butterfly valves with integral supervisory switches
- PI - with Post Indicator Gate Valve
- RV - with relief valve and shut-off valves on reverse side

*New Connected Product. Search [ZCSM-PF](https://www.zurn.com) on [Zurn.com](https://www.zurn.com) for details.

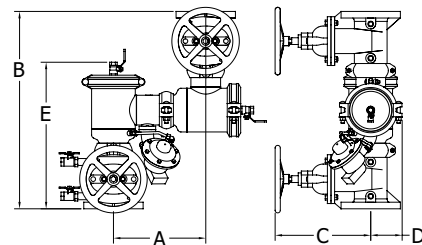
Accessories

- Connected Pressure Monitor (Model ZCSM-PF)*
- Air gap (see spec sheet BF-AG)
- Repair kit (rubber only)
- Thermal expansion tank (Model XT)
- Valve setter (Model FLSST or MJSST or MJSFST)
- Gate valve tamper switch (OSY-40)
- QT-SET Quick Test Fitting Set
- 4" X 3" flanged setter adapters (RFK4X3-400ST)

475ST



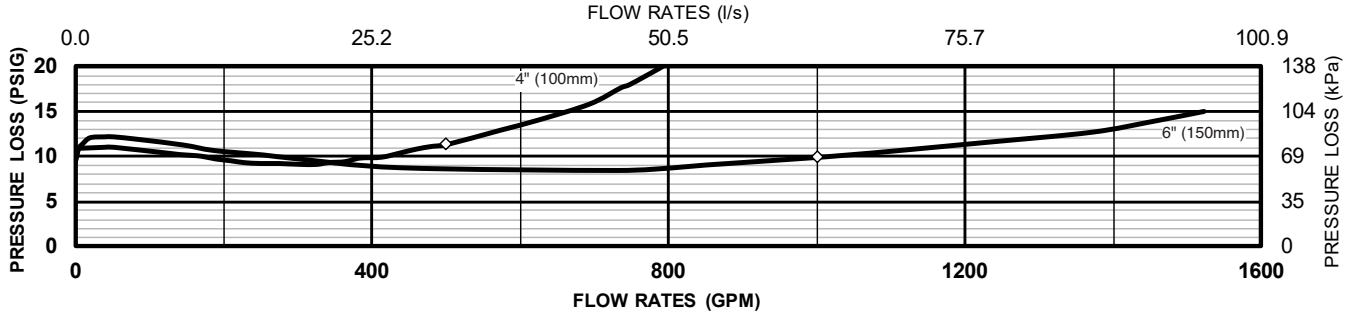
475STV



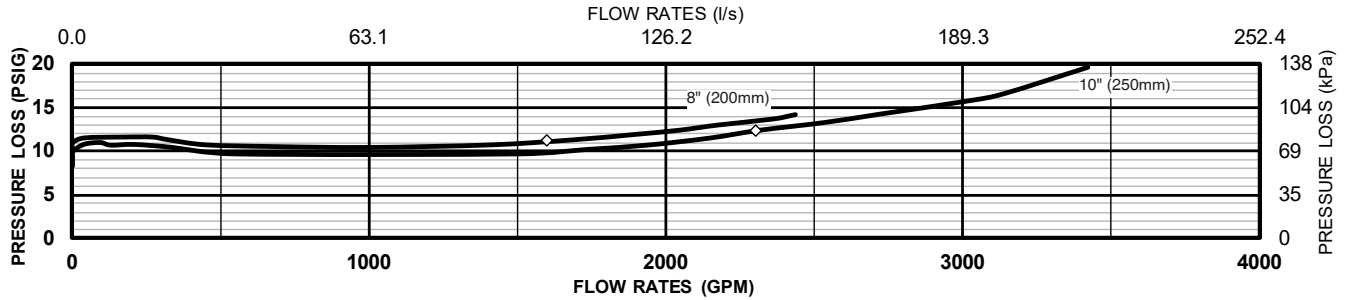
Relief Valve discharge port:

- 2 1/2" - 6" - 2.75 sq. in.
- 8" - 10" - 3.69 sq. in.

MODEL 475ST & 475STV 4" & 6" (STANDARD & METRIC)



475ST & 475STV 8" & 10" (STANDARD & METRIC)

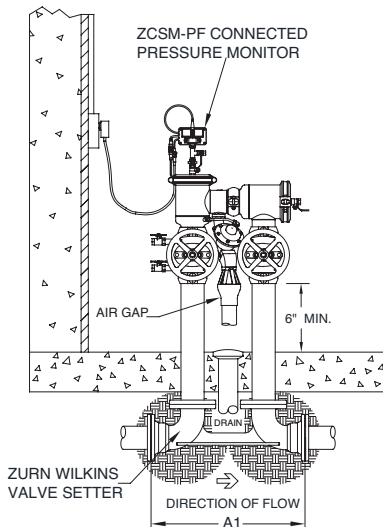


Typical Installation

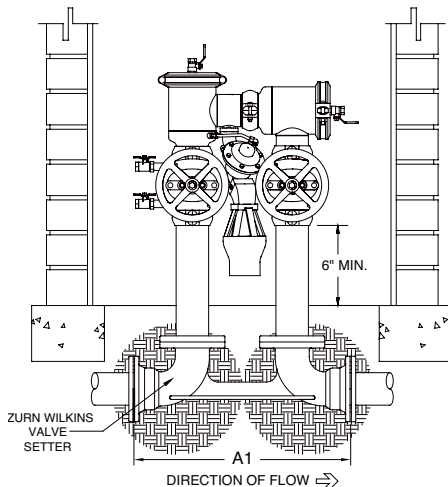
Local codes shall govern installation requirements. To be installed in accordance with the manufacturers' instructions and the latest edition of the Uniform Plumbing Code. Unless otherwise specified, the assembly shall be mounted above adequate drains with sufficient side clearance for testing and maintenance. The installation shall be made so that no part of the unit can be submerged.

MODEL SIZE		DIMENSIONS (approx.)			
		A1 SETTER END TO END FLS		A1 SETTER END TO END MJS	
in.	mm	in.	mm	in.	mm
4	100	31 5/16	795	29.313	745
6	150	34 3/4	884	32.75	832
8	200	47	1194	44.625	1133
10	250	51	1295	47	1194

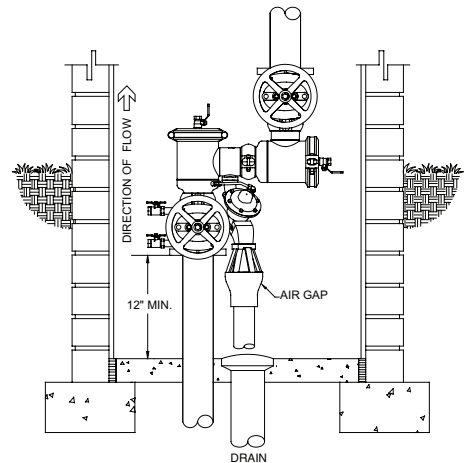
Pipe size	Capacity thru Schedule 40 Pipe (GPM)			
	5 ft/sec	7.5 ft/sec	10 ft/sec	15 ft/sec
2 1/2"	75	112	149	224
3"	115	173	230	346
4"	198	298	397	595
6"	450	675	900	1351
8"	780	1169	1559	2339
10"	1229	1843	2458	3687
12"	1763	2644	3525	5288



INDOOR INSTALLATION
(475STG with ZCSM-PF Connected Pressure Monitor Accessory)



INDOOR INSTALLATION



VERTICAL INSTALLATION

Specifications

The Reduced Pressure Principle Backflow Prevention Assembly shall be certified to NSF/ANSI/CAN 61, ASSE® Listed 1013, and supplied with full port gate valves. The main body and access cover shall be 304L Stainless Steel, the seat ring and check valve shall be NORYL™, the stem shall be stainless steel (ASTM A 276) and the seat disc elastomers shall be EPDM. The checks and the relief valve shall be accessible for maintenance without removing the device from the line. The Reduced Pressure Principle Backflow Prevention Assembly shall be a ZURN WILKINS Model 475ST