

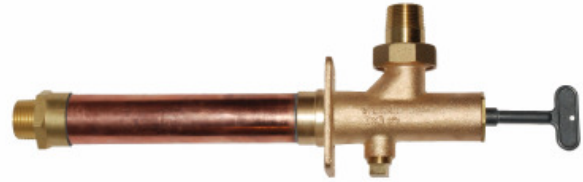
Applications

The ZW3 is intended for any application where "Through the wall" water control is desired. Primarily intended for irrigation applications, the ZW3 valve provides outdoor access to an indoor water supply via a vandal resistant valve key. Some applications may include:

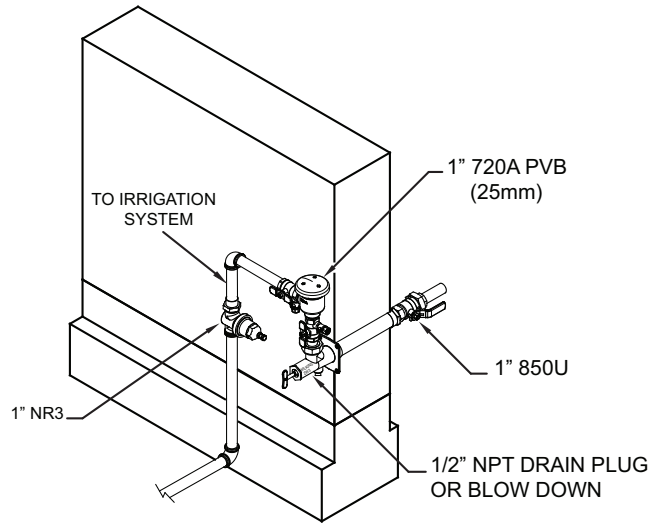
- System Winterizing
- System repairs
- System isolation

Features

Maximum working pressure 175 PSI
 Maximum working water temp. 140o F
 3/8" Vandal resistant valve hex key
 Integral rectangular cover plate with mounting with mounting holes
 1/2" drain and plug
 Available in 8", 10" and 12" lengths to accommodate varying wall thickness.

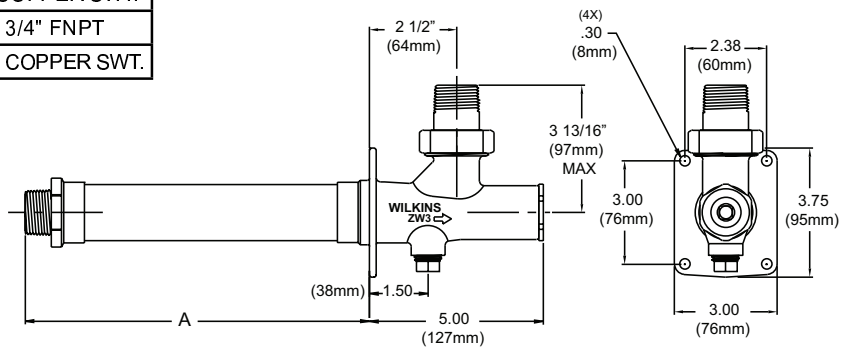


MODEL PART NO.	LENGTH	INLET	OUTLET
ZW3-8-1M	8"	3/4" FNPT X 1" MNPT	1" MNPT
ZW3-8-1F	8"	3/4" FNPT X 1" MNPT	1" FNPT
ZW3-8-1C	8"	3/4" FNPT X 1" MNPT	1" COPPER SWT.
ZW3-8-34F	8"	3/4" FNPT X 1" MNPT	3/4" FNPT
ZW3-8-34C	8"	3/4" FNPT X 1" MNPT	3/4" COPPER SWT.
ZW3-10-1M	10"	3/4" FNPT X 1" MNPT	1" MNPT
ZW3-10-1F	10"	3/4" FNPT X 1" MNPT	1" FNPT
ZW3-10-1C	10"	3/4" FNPT X 1" MNPT	1" COPPER SWT.
ZW3-10-34F	10"	3/4" FNPT X 1" MNPT	3/4" FNPT
ZW3-10-34C	10"	3/4" FNPT X 1" MNPT	3/4" COPPER SWT.
ZW3-12-1M	12"	3/4" FNPT X 1" MNPT	1" MNPT
ZW3-12-1F	12"	3/4" FNPT X 1" MNPT	1" FNPT
ZW3-12-1C	12"	3/4" FNPT X 1" MNPT	1" COPPER SWT.
ZW3-12-34F	12"	3/4" FNPT X 1" MNPT	3/4" FNPT
ZW3-12-34C	12"	3/4" FNPT X 1" MNPT	3/4" COPPER SWT.



Typical Installation

MODEL	DIMENSIONS (approximate)		WEIGHT	
	A		lbs.	kg
	in.	mm		
ZW3-8	8	203	4.2	1.9
ZW3-10	10	254	4.5	2
ZW3-12	12	305	4.8	2.2



FLOW CHARACTERISTICS

