



Model FP23 Couplings



Application

Zurn Model FP23 couplings are listed to join grooved pipes together. FP23 couplings are available with Rigid or Flexible options, or for reducing connections.

- **Rigid Couplings** provide sturdy inflexible joints comparable to flanged, welded, or threaded connections. They are designed to prevent angular and axial deflection of connected pipes.
- **Flexible Couplings** allow joints to flex at the connection without leakage. They meet flexure requirements for structural settling, inter-building piping, and seismic motion.
- **Reducing Couplings** provide a flexible style joint between pipes of different sizes. Each reducing coupling makes a connection that would otherwise require two separate couplings and a reducer.



4-FP23R

Materials

Casting ASTM A536 65-45-12 Ductile Iron
 Gasket EPDM, Pre-lubricated, Pressure responsive
 Bolts & Nuts Grade 5

Standards Compliance

- UL® Listed
- C-UL® Listed
- FM® Approved

Features

Sizes: 1", 1 1/4", 1 1/2", 2", 2 1/2", 3", 4", 6", 8", 10"
 Maximum Pressure: 300 PSI

Options

- R - Rigid Couplings
- F - Flexible Couplings



4X2-FP23

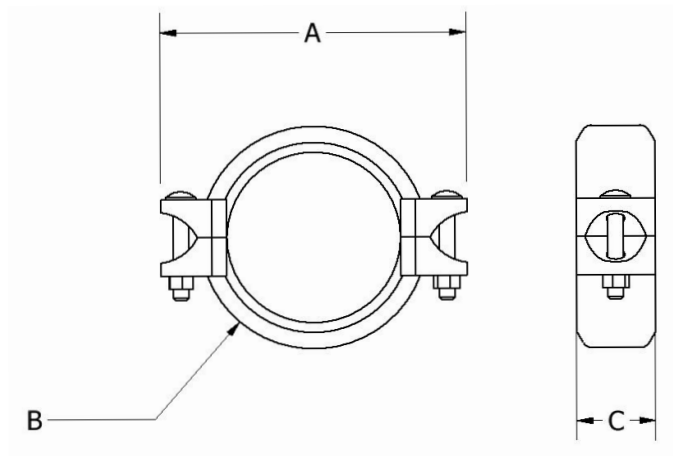


Model FP23R

Rigid Fire Couplings



4-FP23R



Dimensions & Weights (do not include pkg.)

SIZE in.	MODEL	DIMENSIONS (approximate)			
		A in.	B in.	C in.	Weight lb.
1	1-FP23R	3.86	2.19	1.73	1.2
1 1/4	114-FP23R	4.21	2.64	1.73	1.2
1 1/2	112-FP23R	4.37	2.84	1.73	1.2
2	2-FP23R	4.92	3.35	1.77	1.5
2 1/2	212-FP23R	5.47	3.90	1.77	1.9
3	3-FP23R	6.54	4.57	1.77	2.5
4	4-FP23R	7.52	5.55	1.93	3.2
6	6-FP23R	9.88	7.87	1.93	4.8
8	8-FP23R	12.60	9.96	2.32	8.3
10	10-FP23R	16.77	13.19	2.68	16.9

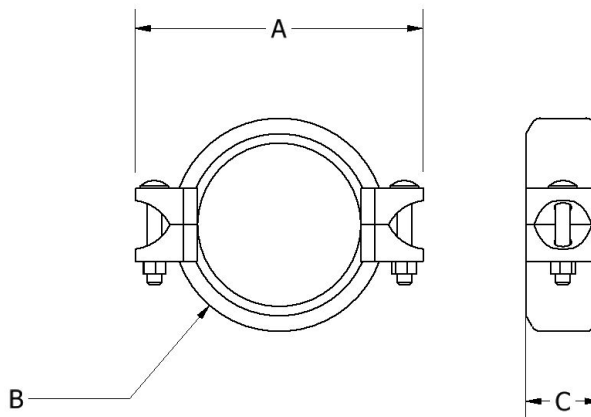


Model FP23F

Flexible Fire Couplings



4-FP23F



Dimensions & Weights (do not include pkg.)

SIZE in.	MODEL	DIMENSIONS (approximate)			Weight lbs.
		A in.	B in.	C in.	
1 1/4	114-FP23F	4.21	2.64	1.73	1.2
1 1/2	112-FP23F	4.37	2.84	1.73	1.2
2	2-FP23F	4.88	3.35	1.73	1.5
2 1/2	212-FP23F	5.43	3.90	1.77	1.7
3	3-FP23F	6.50	4.57	1.77	2.4
4	4-FP23F	7.48	5.55	1.93	3.1
6	6-FP23F	9.84	7.87	1.93	4.5
8	8-FP23F	12.56	9.96	2.32	8.3



Model FP23

Reducing Couplings



4X2-FP23

Dimensions & Weights (do not include pkg.)

SIZE in.	MODEL	DIMENSIONS (approximate)			
		A in.	B in.	C in.	Weight lbs.
1 1/2 X 1 1/4	112X114-FP23	4.55	2.88	1.77	1.3
2 X 1 1/2	2X112-FP23	5.08	3.54	1.85	1.9
2 1/2 X 2	212X2-FP23	5.39	3.98	1.89	2.2
3 X 2	3X2-FP23	6.46	4.72	1.89	3.2
3 X 2 1/2	3X212-FP23	6.46	4.72	1.89	3.2
4 X 2	4X2-FP23	7.68	5.91	1.93	4.6
4 X 2 1/2	4X212-FP23	7.68	5.91	1.93	4.4
4 X 3	4X3-FP23	7.68	5.91	1.93	4.3
6 X 4	6X4-FP23	9.25	7.99	1.97	7.4
8 X 6	8X6-FP23	12.32	10.39	2.36	15.1

