



Model 850 Full Port Bronze Ball Valve

Application

ZURN WILKINS Model 850 Full Port Bronze Ball Valves are recommended for irrigation and industrial applications. Ideal for throttling and balancing installations of low pressure steam, air, water and non-corrosive gas or oil. For non-potable applications only.

Materials

Main valve body	Bronze ASTM B 584
Ball	Chrome plated brass ASTM B 16
Seats	TFE virgin teflon
Stems	Brass ASTM B 16
Stem packing	TFE virgin teflon
Thrust washer	TFE virgin teflon
Handle	Stainless steel
Handle nut	Stainless steel

Features

Sizes: 3/4", 1", 1 1/4", 1 1/2", 2"

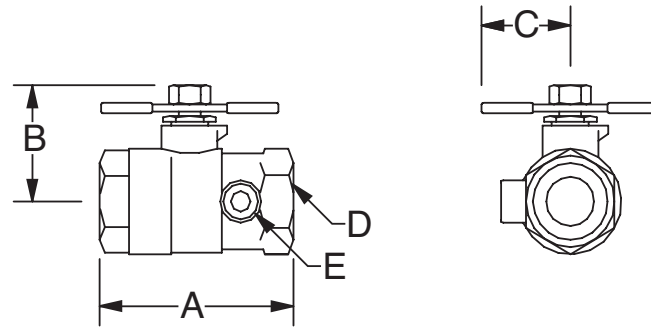
Pressure rating	400 psi WOG
Temperature rating	33°F to 350°F @50 psi
Threaded connections (FNPT)	ANSI B1.20.1



Options

(Suffixes can be combined)

- FNPT x FNPT connections, (3/4" - 2")
- T - tapped (FNPT X FNPT)
- U - with single union body (FNPT x FNPT) (3/4" to 1")



Size 3/4" - 2"

Dimensions & Weights (do not include pkg.)

SIZE	DIMENSIONS (approximate)														
	MODEL 850			MODEL 850U			B		C		D	E	F	WEIGHT	
	A	A	A	A	A	TAPPED	in.	mm	in.	mm	THREAD	TAP	THREAD	lbs.	kg.
	in.	mm	TAPPED	in.	mm	TAPPED					FNPT	SIZE	MNPT		
3/4	2 1/2	64	2 3/4	3 5/16	84	3 5/8	1 3/4	45	1 5/8	41	3/4-14	1/8-27	N/A	1	0.5
1	2 3/4	70	3	3 7/8	94	4 1/8	2	51	1 5/8	41	1-11 1/2	1/8-27	N/A	2	1
1 1/4	3 5/16	84	3 5/8	N/A	N/A	N/A	2 5/8	67	3 1/2	89	1 1/4-11 1/2	1/4-18	N/A	3	1.4
1 1/2	3 3/4	95	3 7/8	N/A	N/A	N/A	2 7/8	73	4 3/4	121	1 1/2-11 1/2	1/4-18	N/A	3	1.4
2	4 1/2	114	4 5/8	N/A	N/A	N/A	3 7/8	98	4 3/4	121	2-11 1/2	1/4-18	N/A	6	2.7